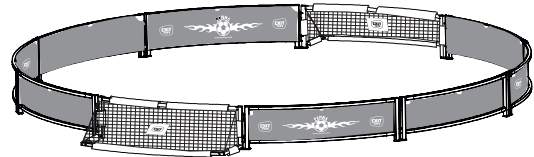


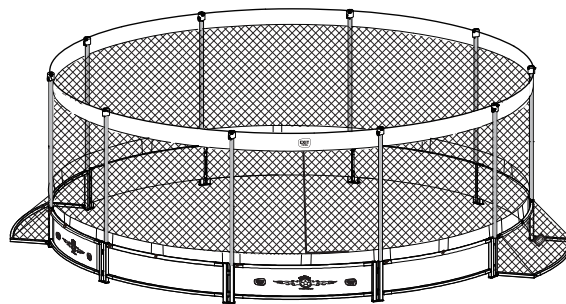


# Sports

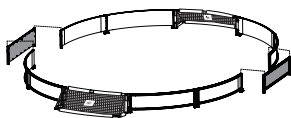
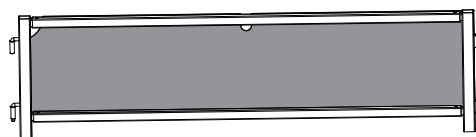
EXIT Panna-Field



**EXIT Panna-Field Round  $\phi$ 488cm ( $\phi$ 16Ft)**



**EXIT Panna-Surround-Net ( $\phi$ 16Ft)**



**EXIT Panna-Field Extension Kit (2 pcs)**



OUTDOOR & INDOOR  
USE



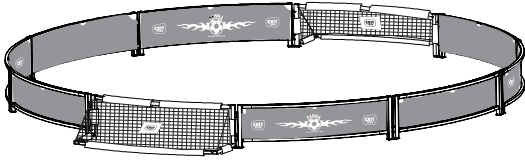
**WARNING**  
CHOKING HAZARD  
small parts

Adult assembly required  
retain for future reference

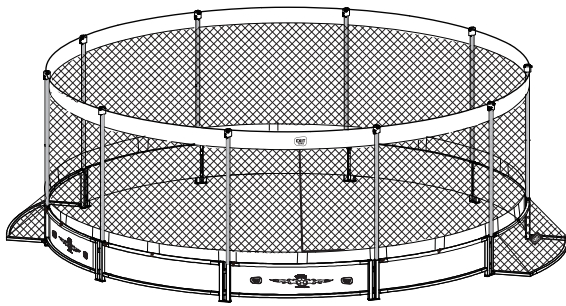




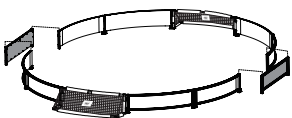
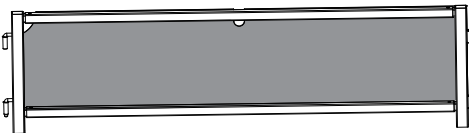
## EXIT Panna-Field Round $\phi$ 488cm ( $\phi$ 16Ft) P2

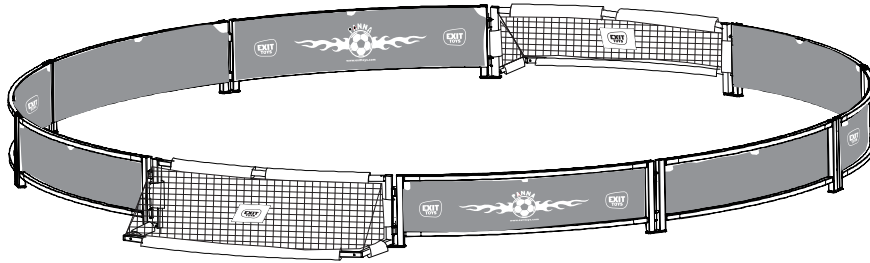


## EXIT Panna-Surround-Net ( $\phi$ 16Ft) P10




## EXIT Panna-Field Extension Kit (2 pcs) P17



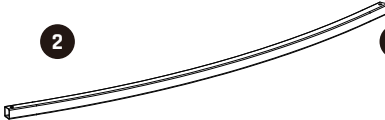


- 1**




69.55.10.01 8x

**2**




69.55.10.04 18x \*

**3**




69.55.10.14 8x
- 4**




69.55.11.10 4x

**5**

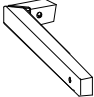


69.55.11.00 4x

**6**

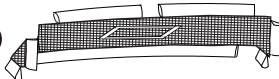


69.55.10.06 2x
- 7**




69.55.10.02 4x \*

**8**

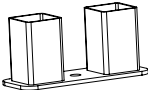


66.55.10.00 2x

**9**

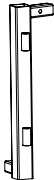


69.55.10.09 4x
- 10**




69.55.10.10 10x

**12**

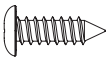


69.55.10.03 2x

**13**




69.55.10.13 2x
- 11**




ST4.8X16 128X

**14**



CI40223 10X

**15**

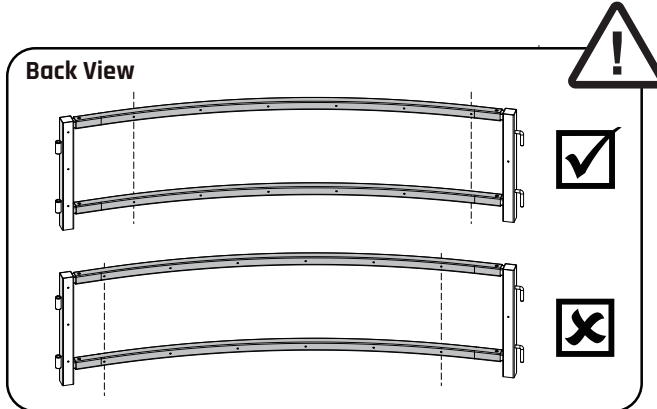


CG26001 1X
- 69.55.10.50 1x**

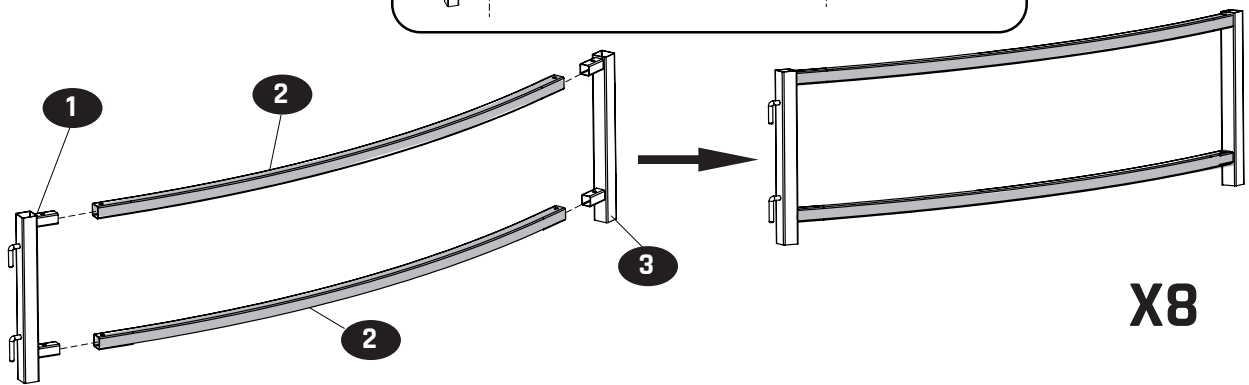
\* BOX REFERENCE: XX.XX.XX  
 PRODUCTION ID: XXX XXX



**1**

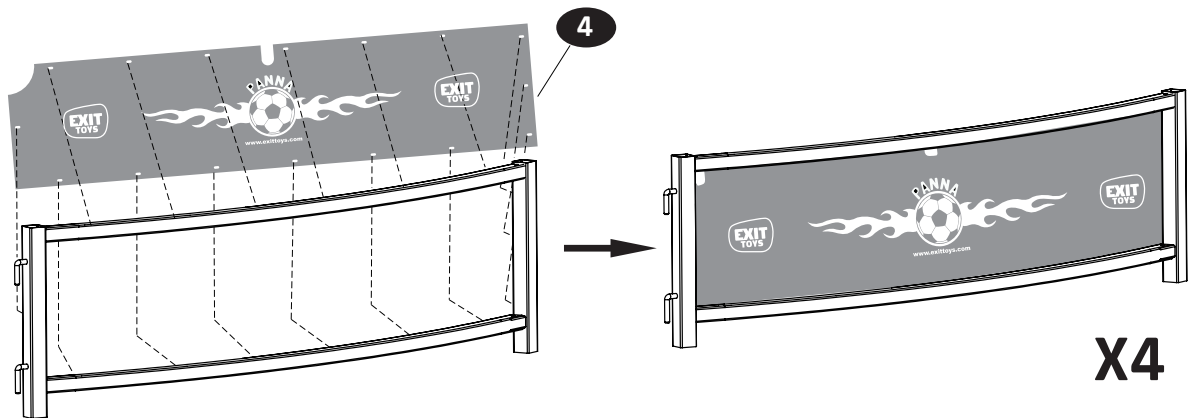
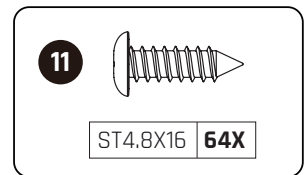


Part.Nr.	Qty
1	8
2	16
3	8



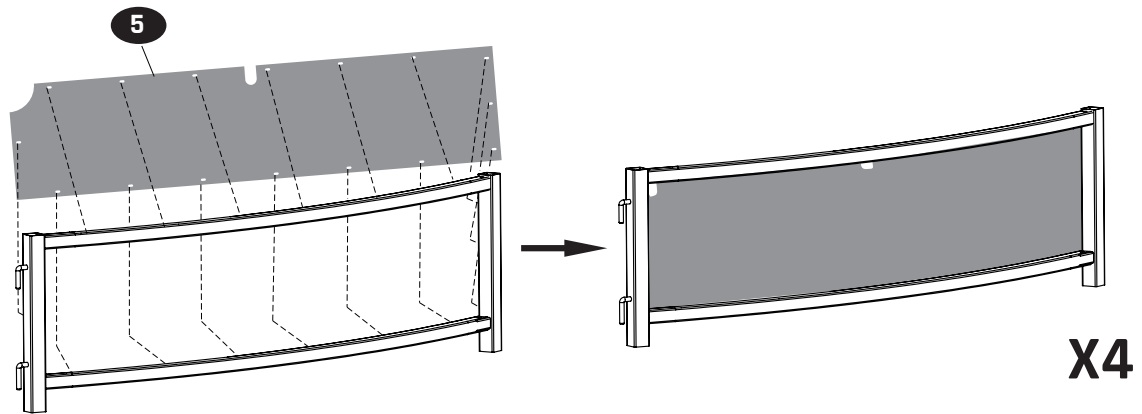
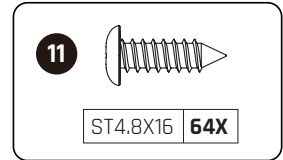
**2**

Part.Nr.	Qty
4	4



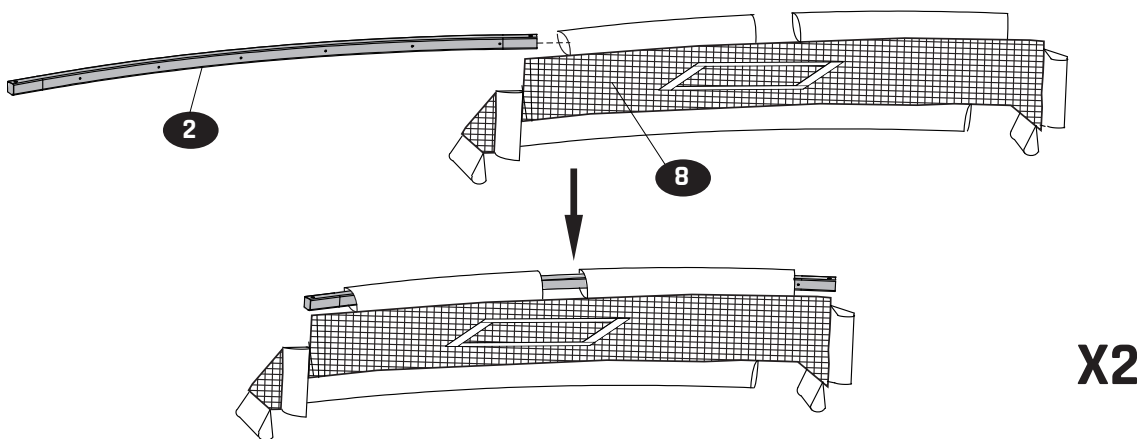
**3**

Part.Nr.	Qty
5	4



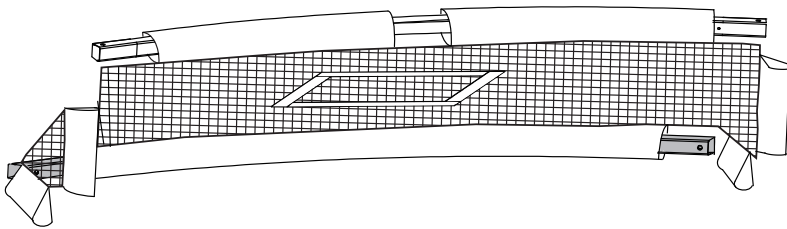
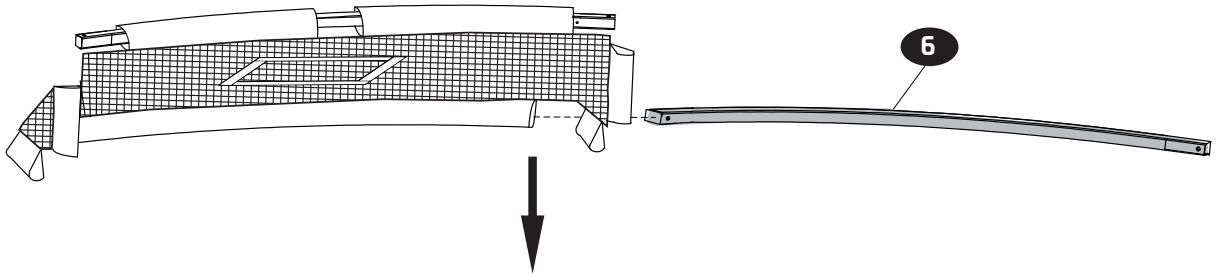
**4**

Part.Nr.	Qty
2	2
8	2



**5**

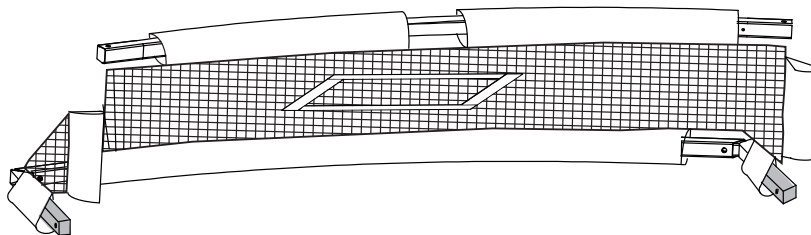
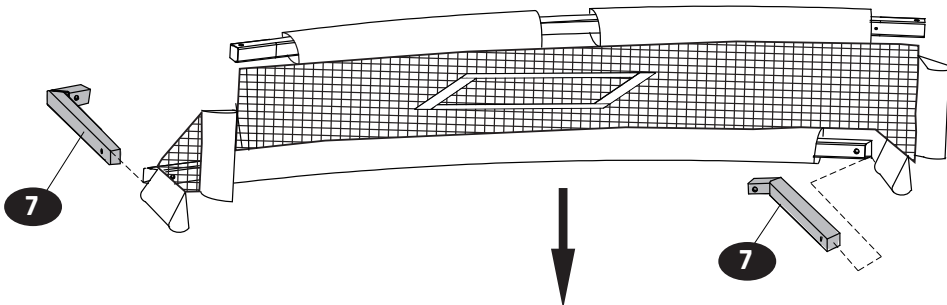
Part.Nr.	Qty
6	2



**X2**

**6**

Part.Nr.	Qty
7	4



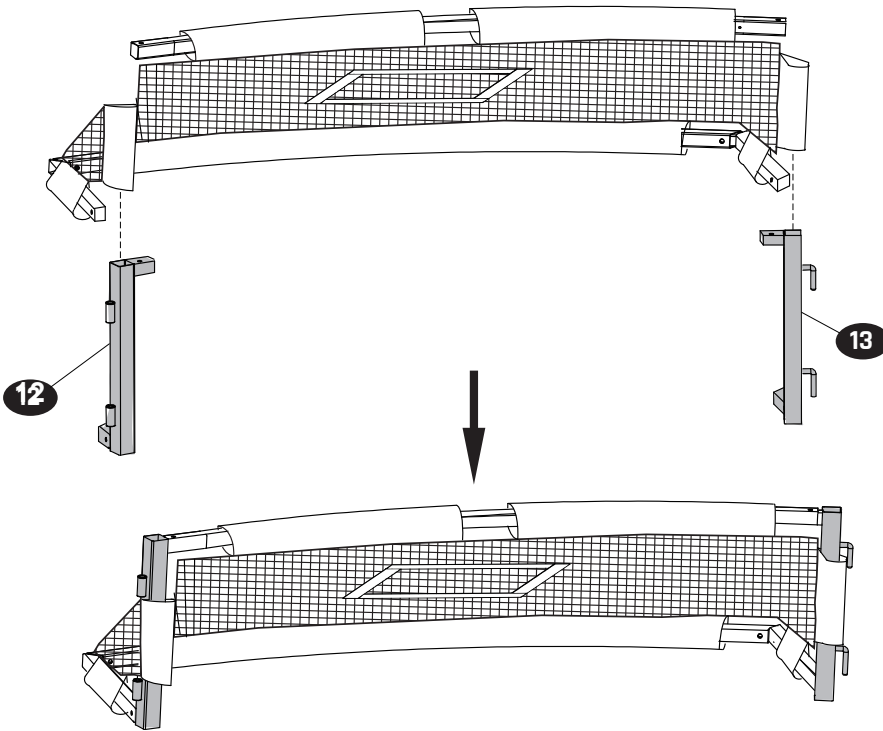
**X2**

# Sports

EXIT Panna-Field

7

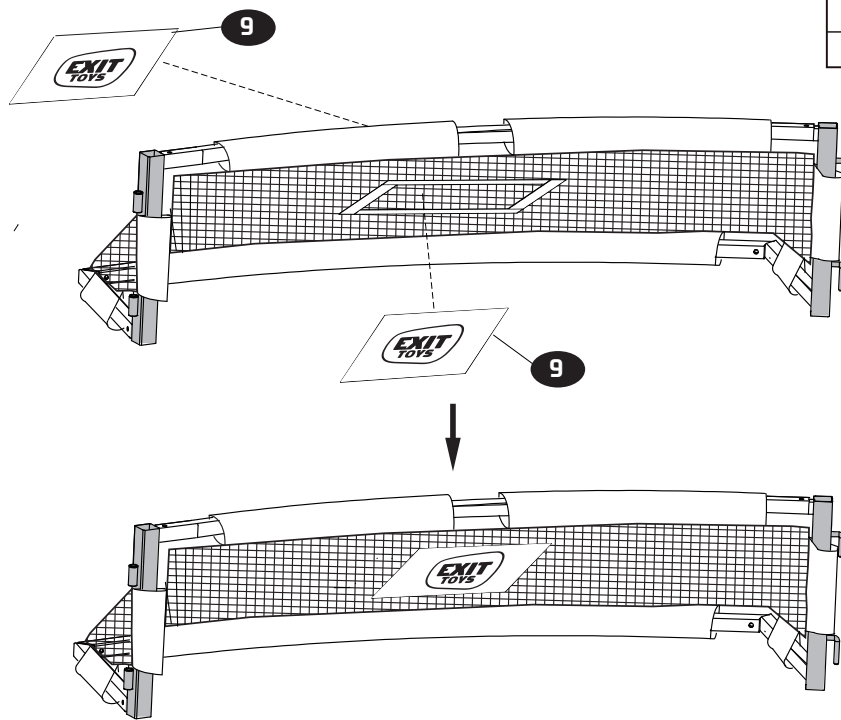
Part.Nr.	Qty
12	2
13	2



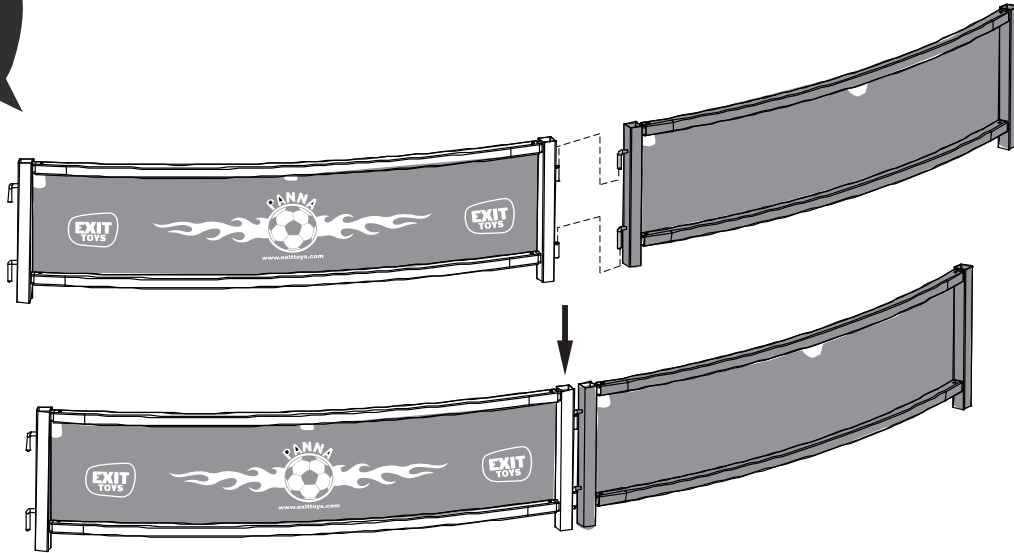
X2

8

Part.Nr.	Qty
9	4

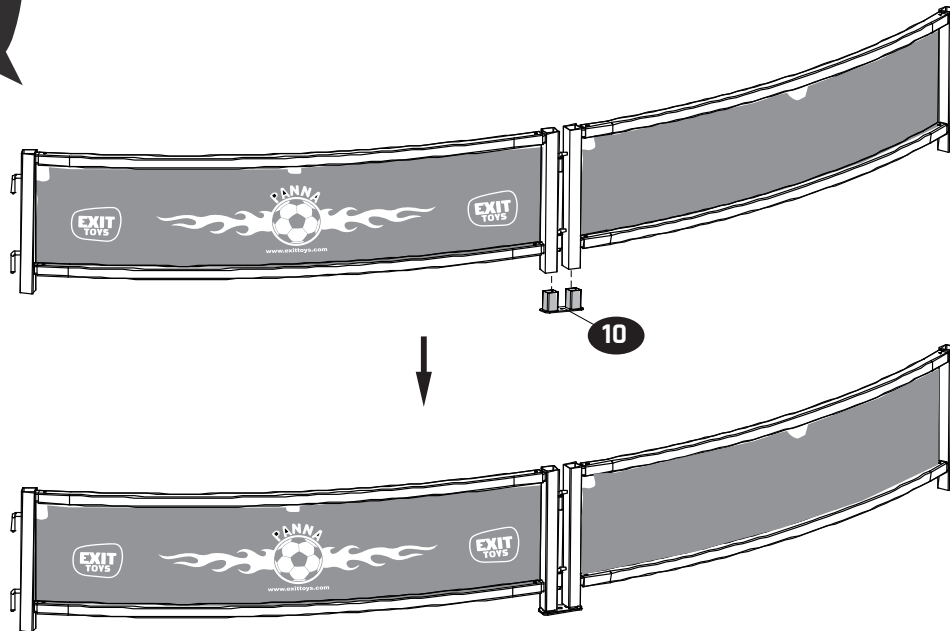


**9**



**X4**

**10**

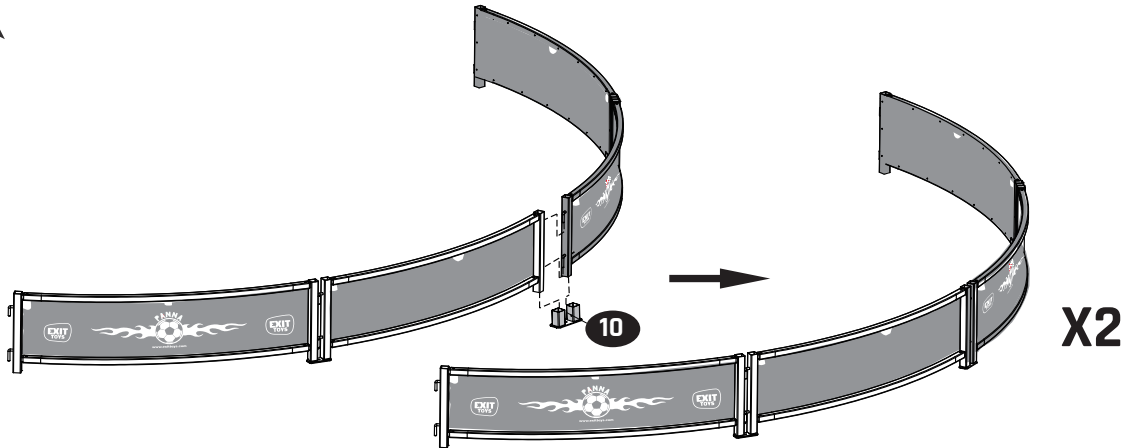


**X4**

Part.Nr.	Qty
10	4

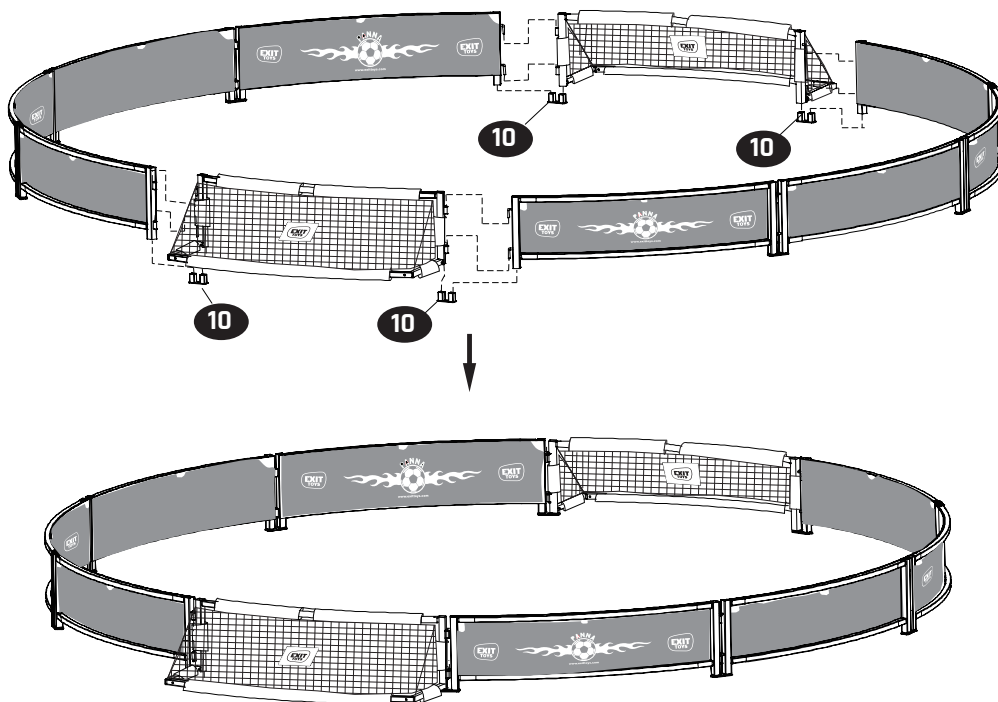
**11**

Part.Nr.	Qty
10	2



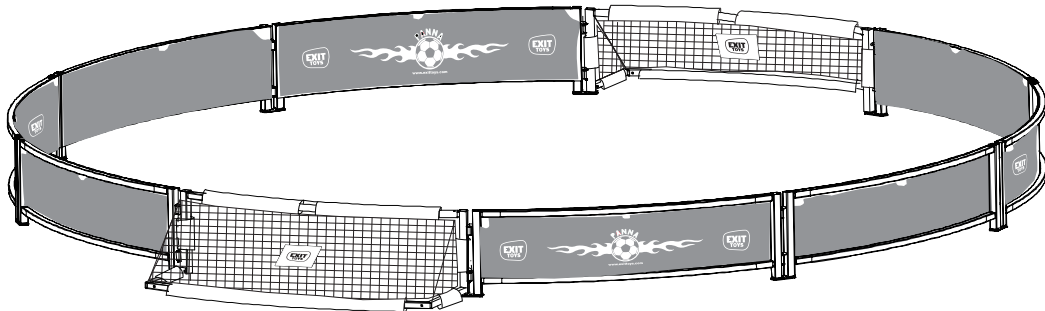
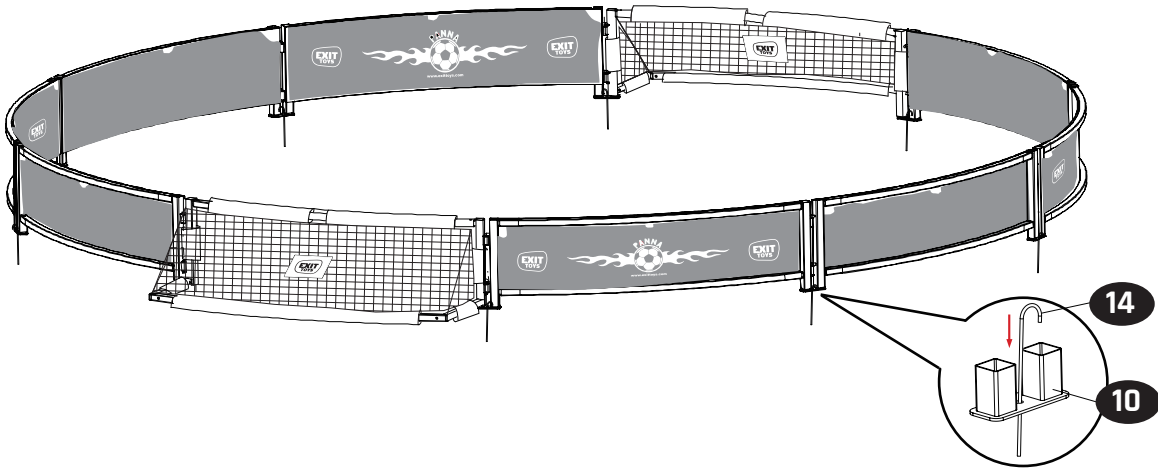
**12**

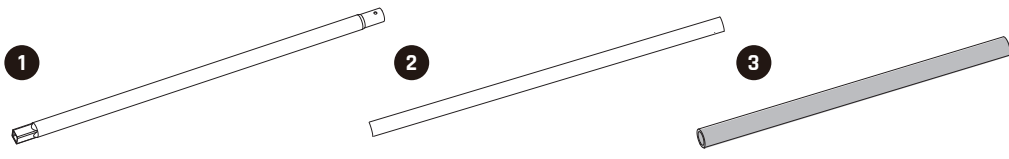
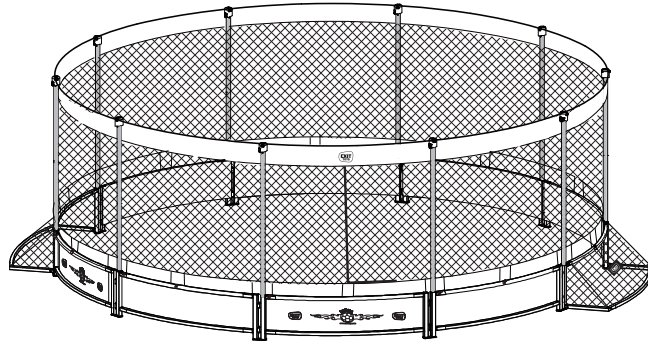
Part.Nr.	Qty
10	4



**13**

Part.Nr.	Qty
14	10





1

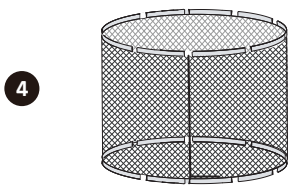
2

3

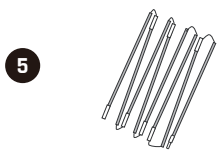
69.55.80.05 10x \*

69.55.80.06 10x

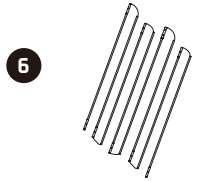
69.55.80.04 20x



4



5

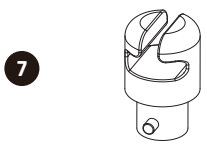


6

69.55.80.07 1x

69.55.80.01 2x

69.55.80.02 2x



7



8



10

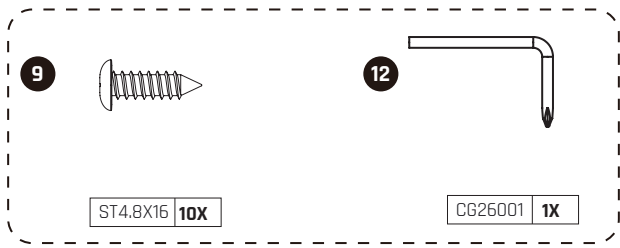
67.99.01.02 10x

69.55.80.08 10x

69.60.40.00 20x



11



9

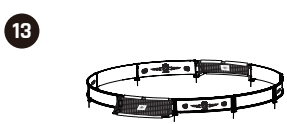
12

ST4.8X16 10X

CG26001 1X

69.55.80.03 2x

69.55.80.50 1x



13

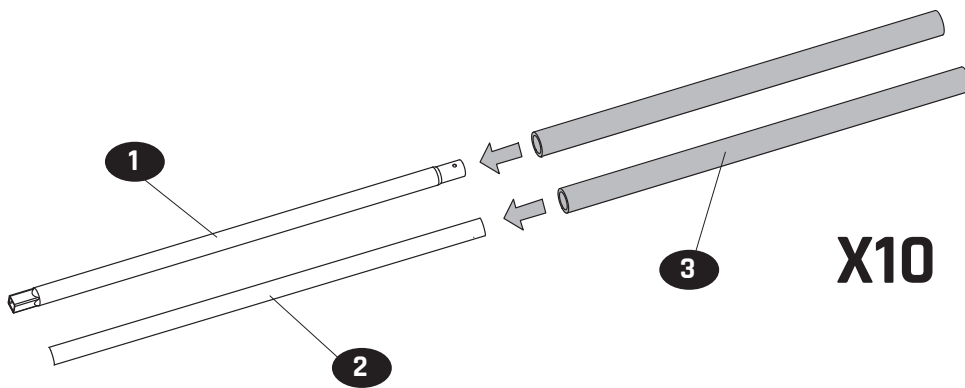
41.55.10.00 1x

\* BOX REFERENCE: XX.XX  
PRODUCTION ID: XXX XXX

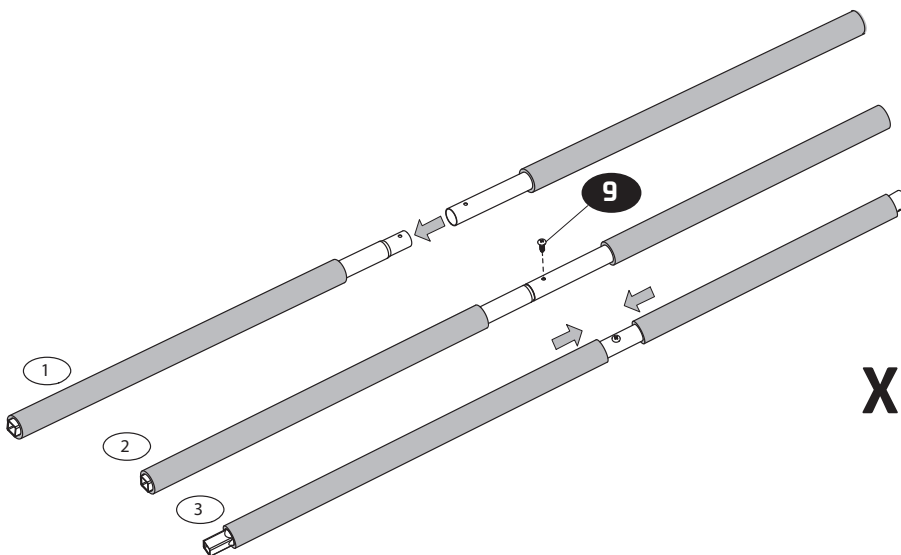
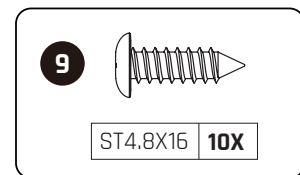


**1**

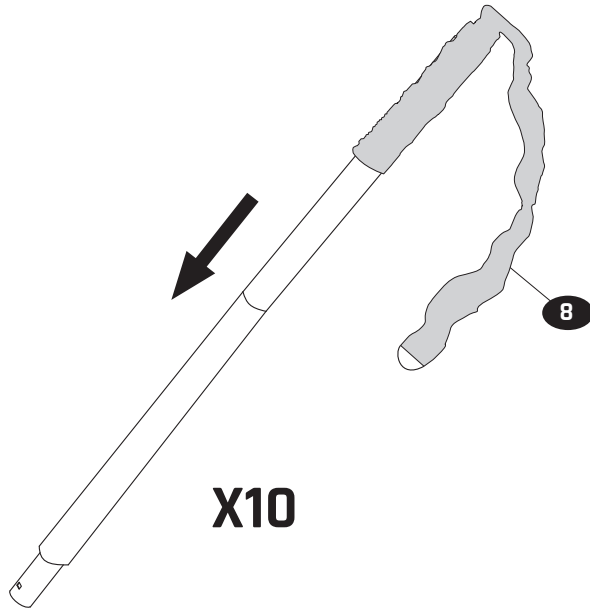
Part.Nr.	Qty
1	10
2	10
3	20



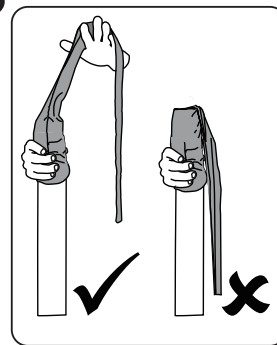
**2**



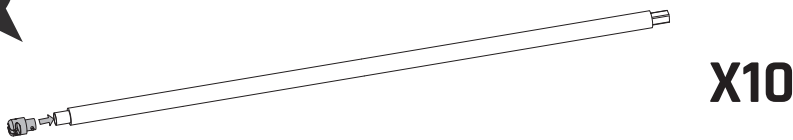
**3**



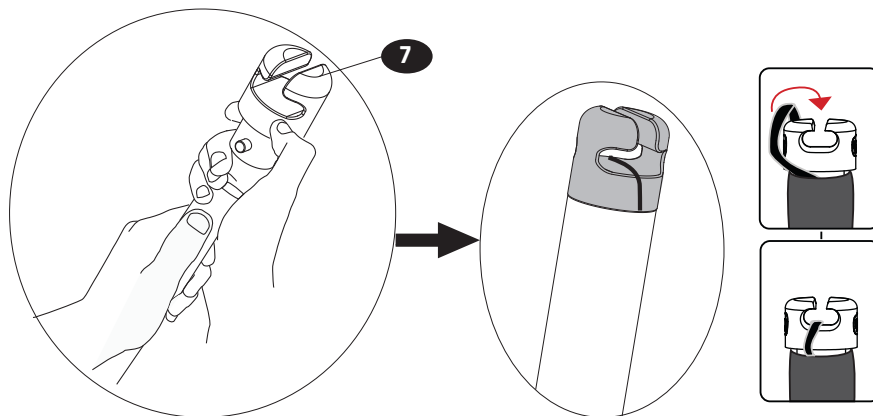
Part.Nr.	Qty
8	10



**4**

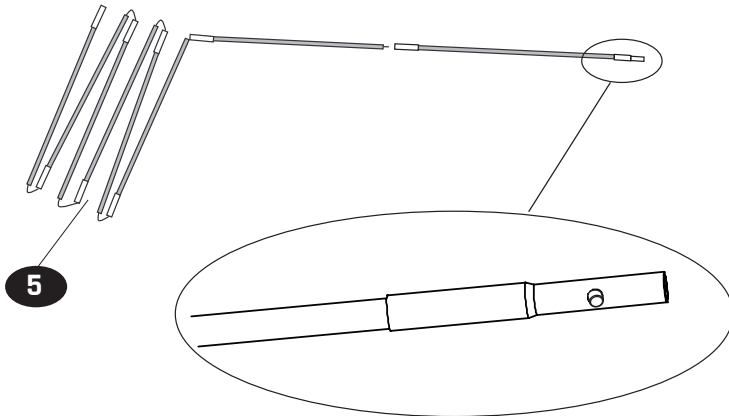


Part.Nr.	Qty
7	10



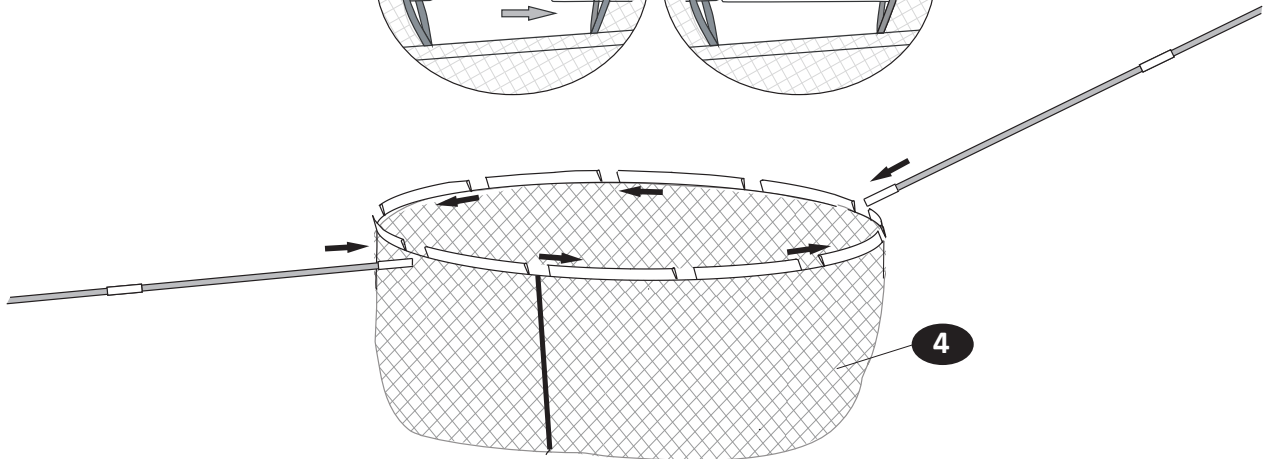
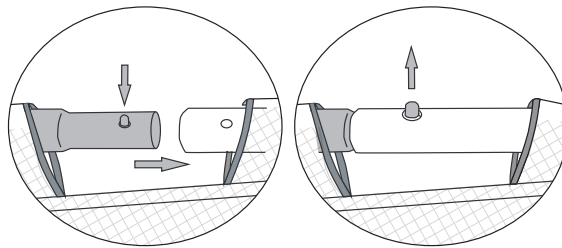
**5**

Part.Nr.	Qty
5	2



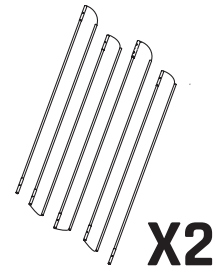
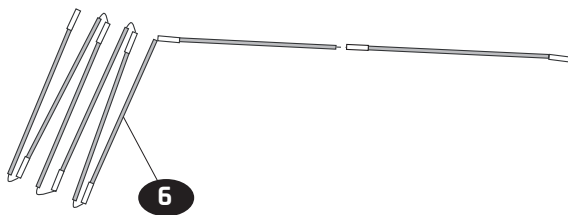
**6**

**X2**



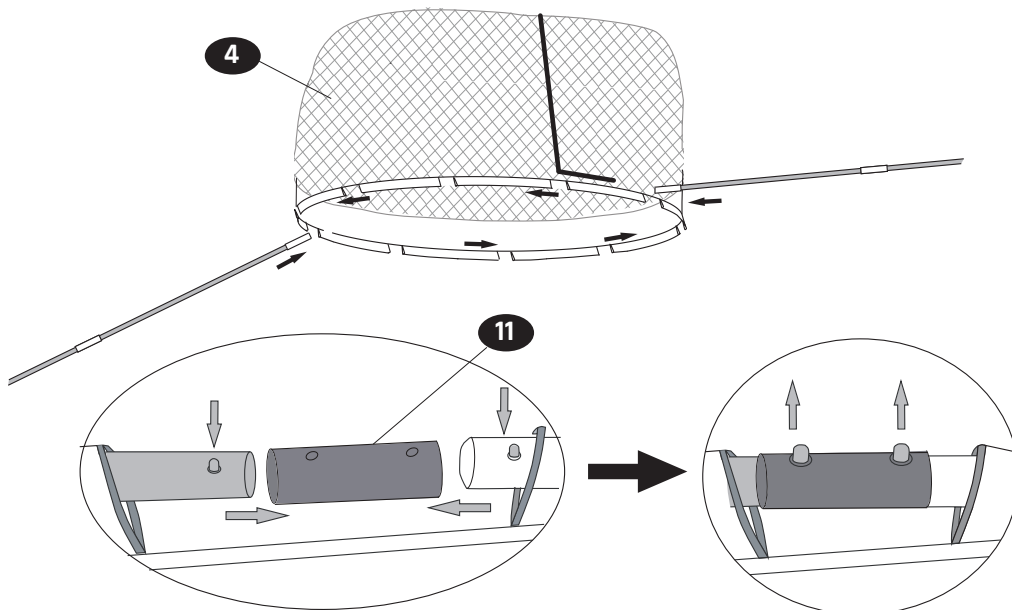
7

Part.Nr.	Qty
6	2

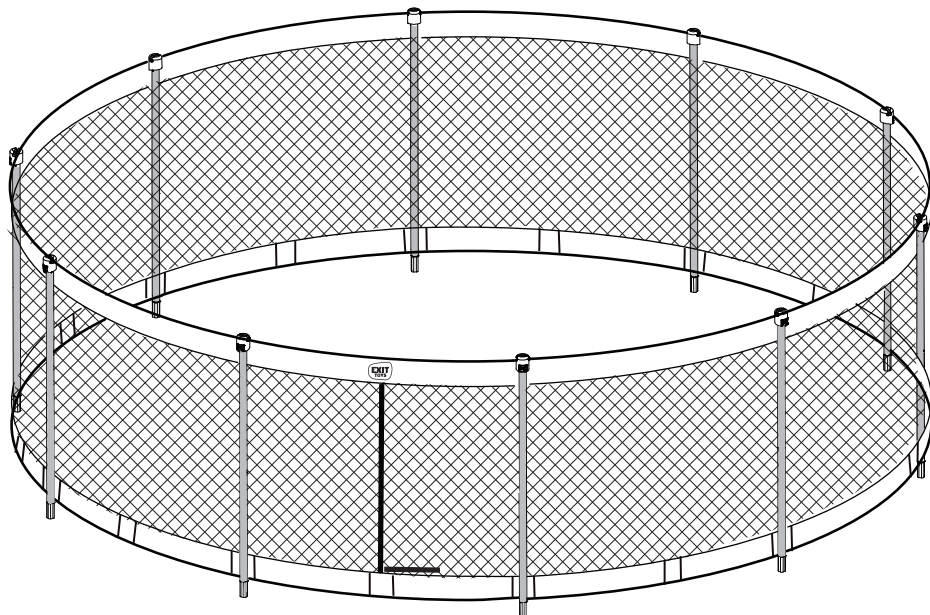
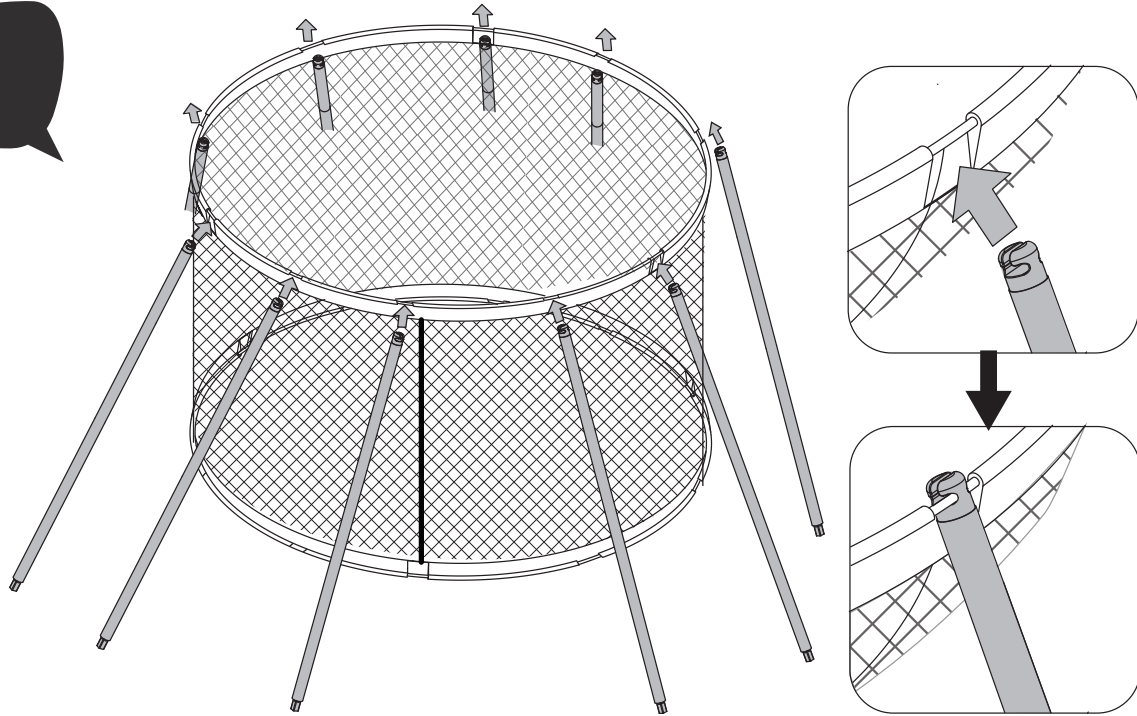


8

Part.Nr.	Qty
11	2

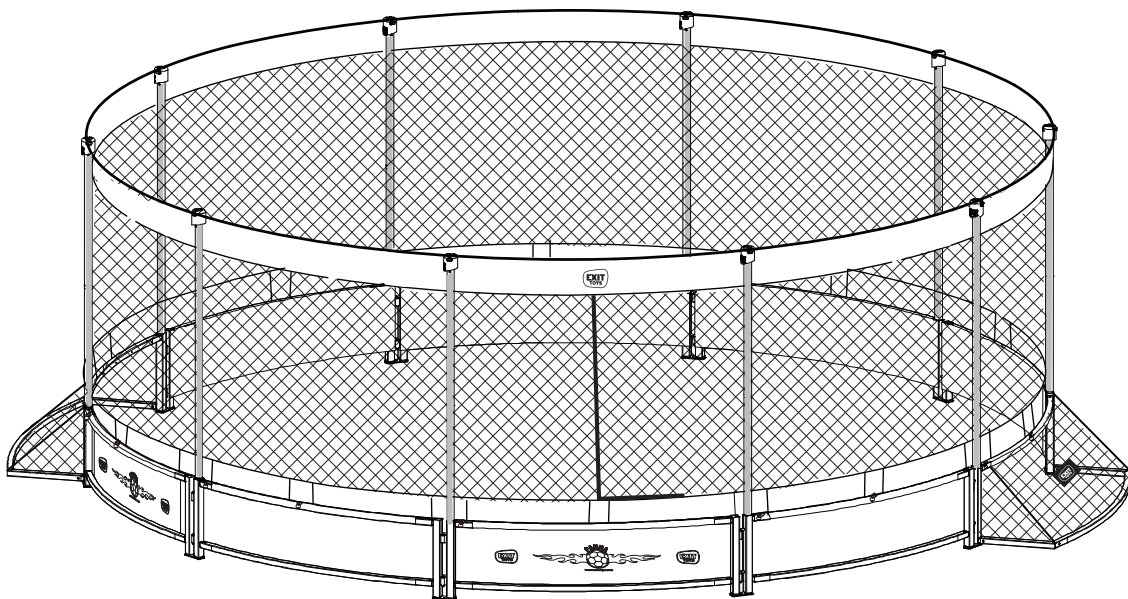
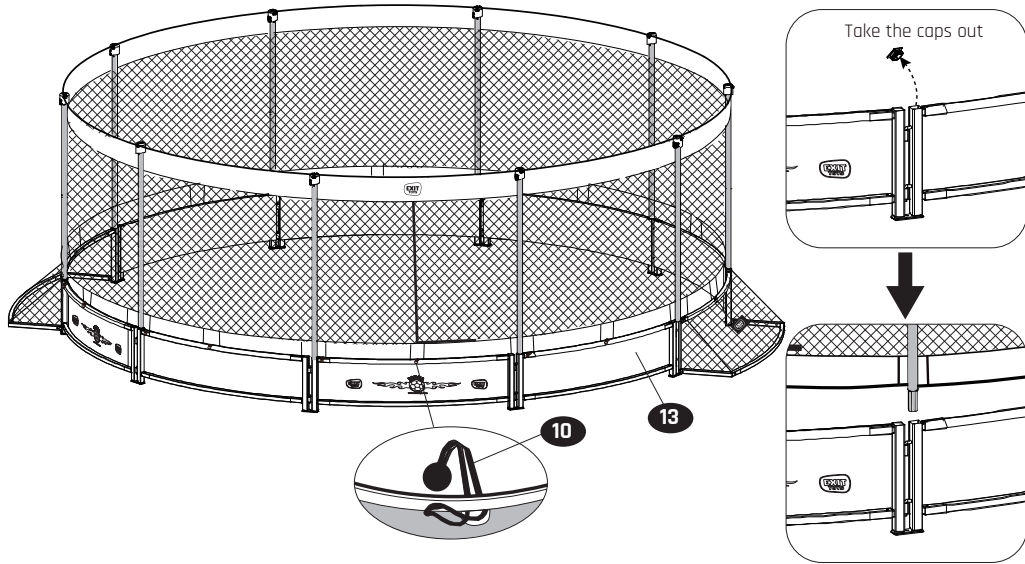


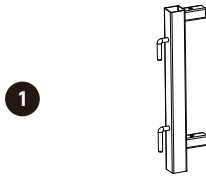
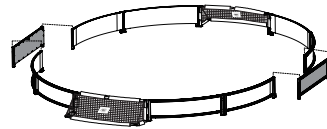
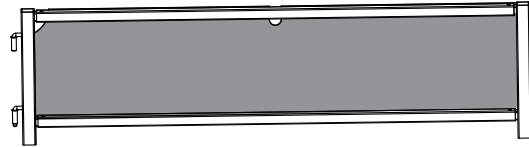
**9**



10

Part.Nr.	Qty
10	20





69.55.10.01 2x



69.55.92.02 4x \*



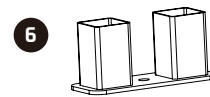
69.55.10.14 2x



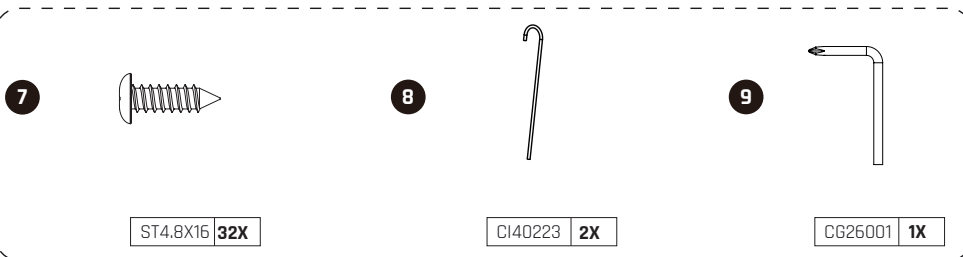
69.55.11.10 1x



69.55.11.00 1x



69.55.10.10 2x



ST4.8X16 32X



CI40223 2X



CG26001 1X

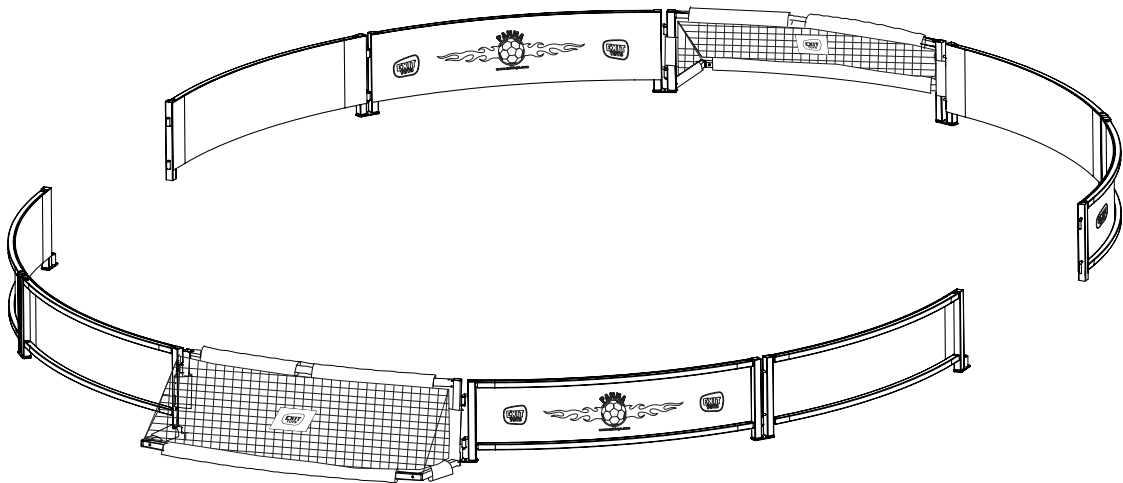
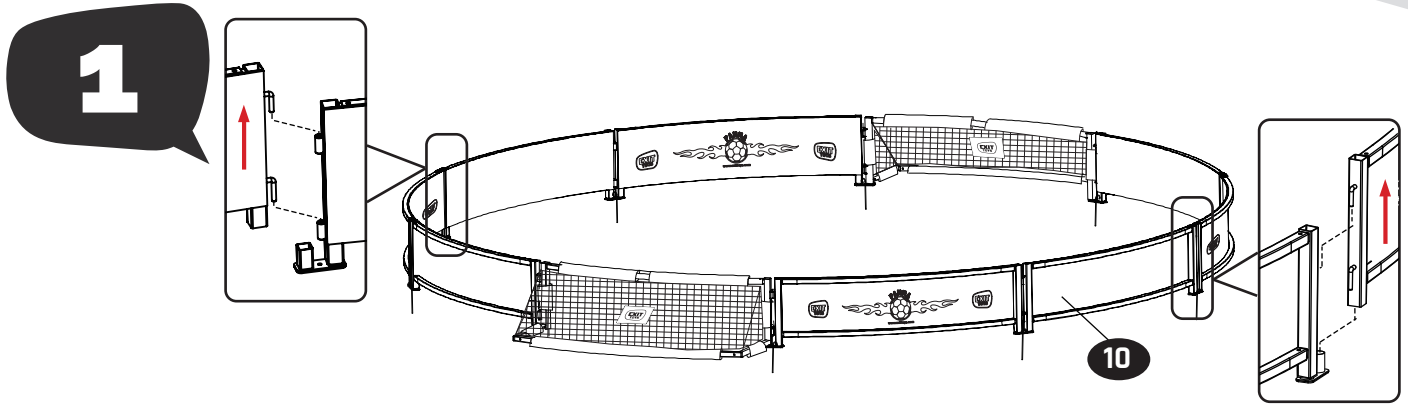
69.55.92.50 1x



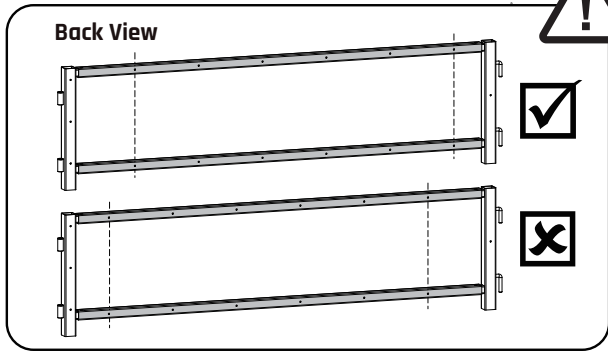
41.55.10.00 1x

BOX REFERENCE:	XX.XXX
PRODUCTION ID:	XXX XXX

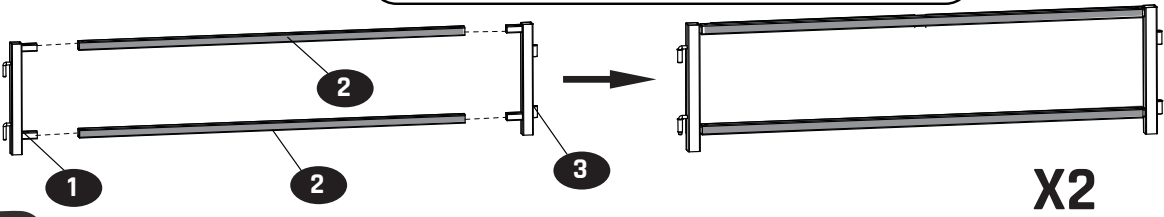




2

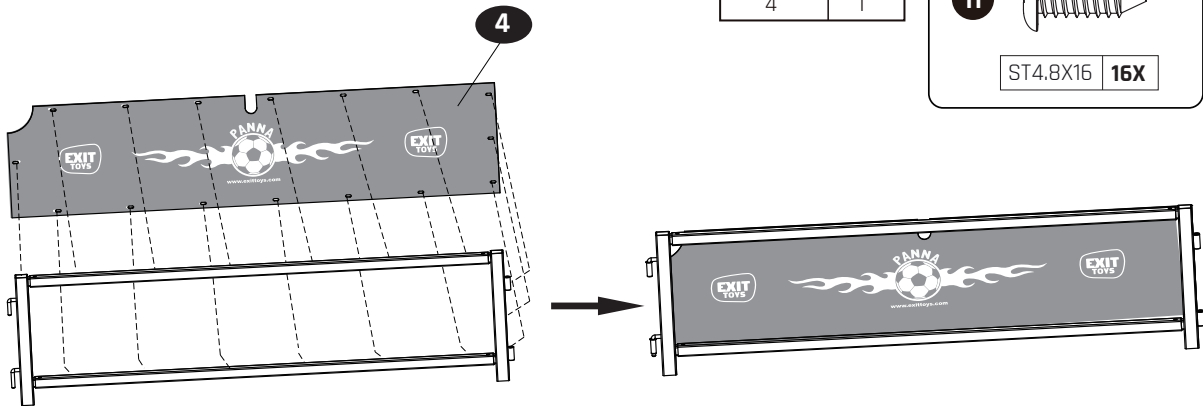
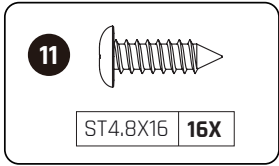


Part.Nr.	Qty
1	2
2	4
3	2



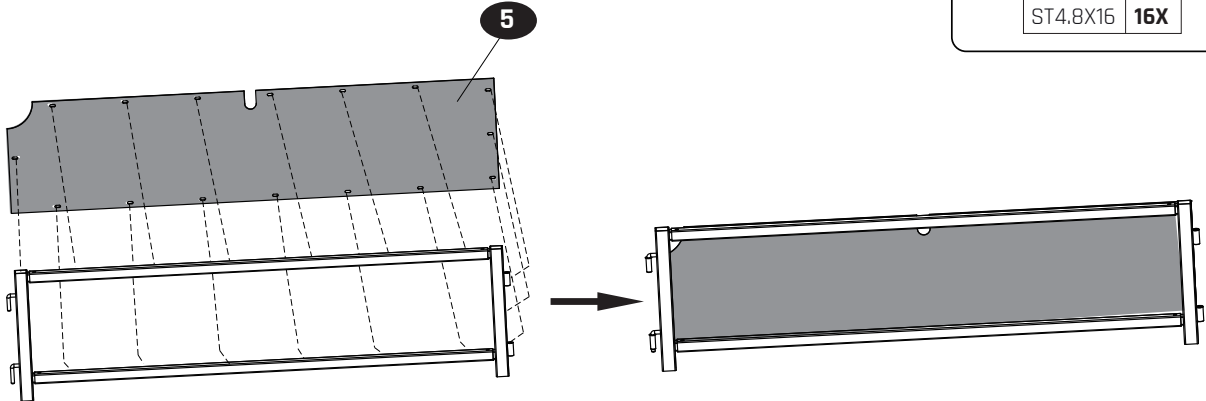
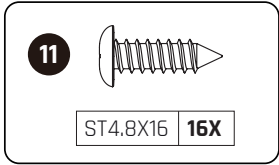
3

Part.Nr.	Qty
4	1

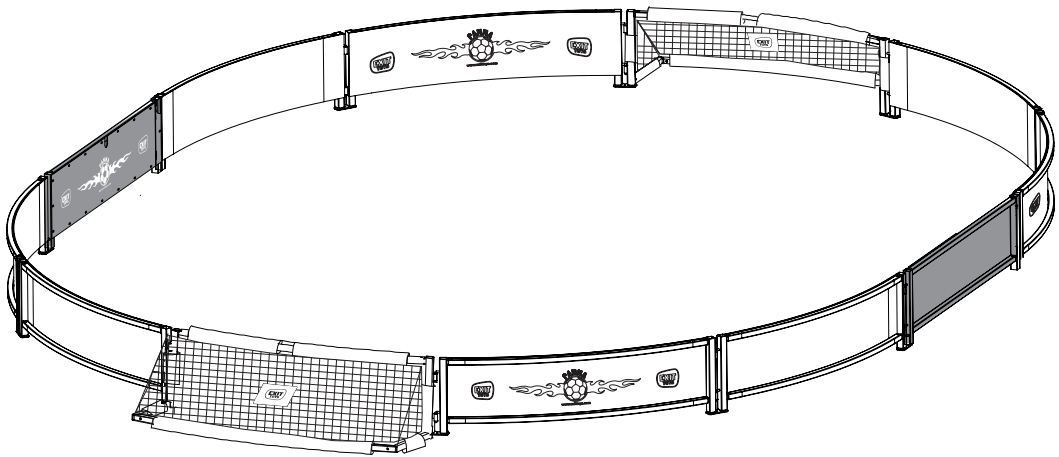
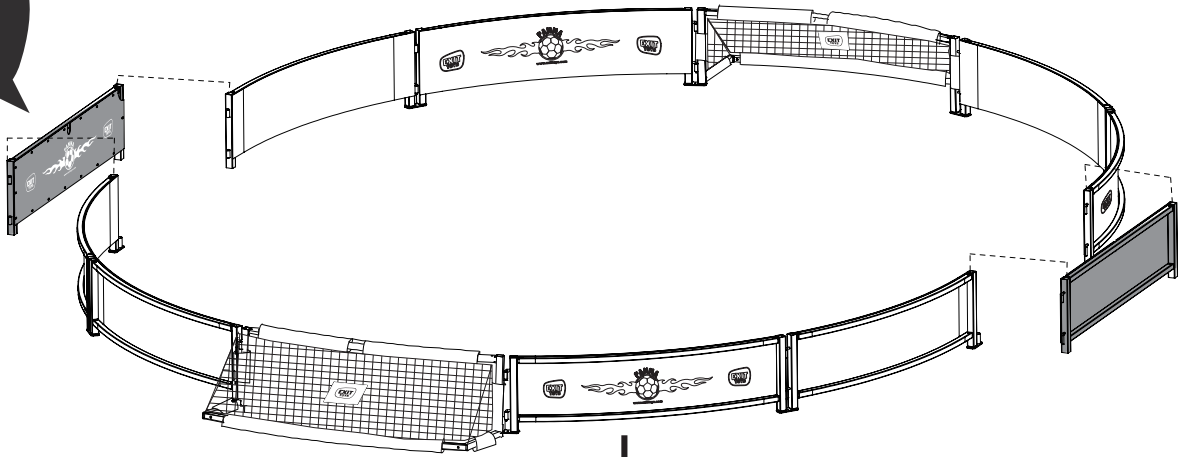


4

Part.Nr.	Qty
5	1

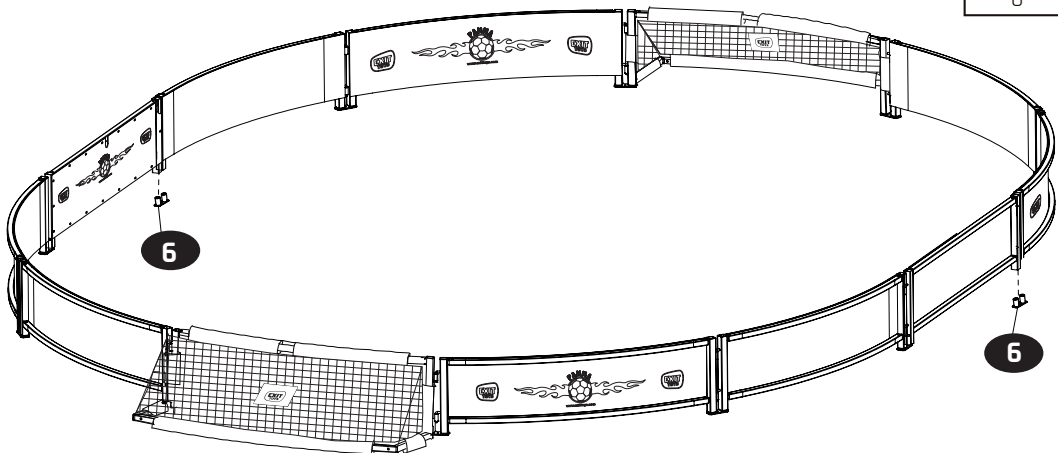


5



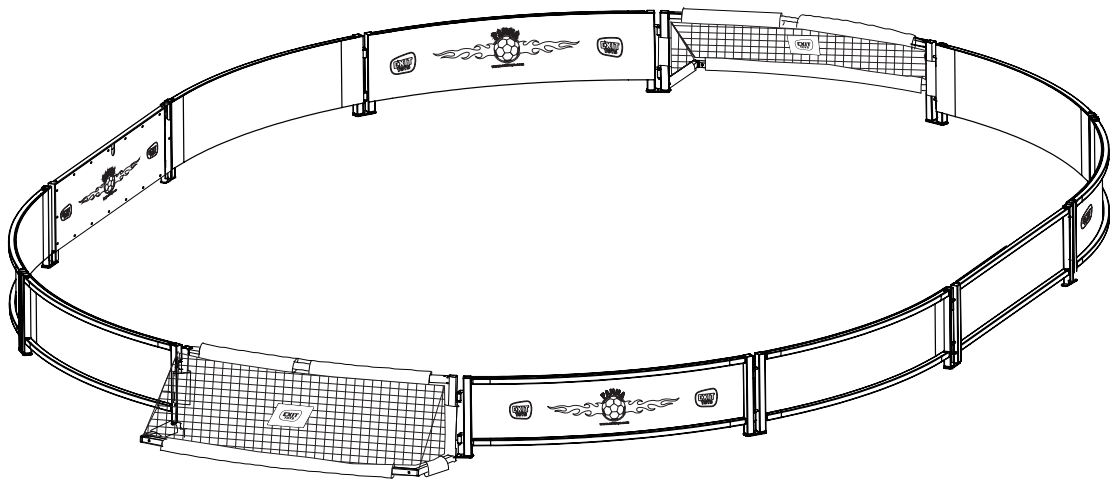
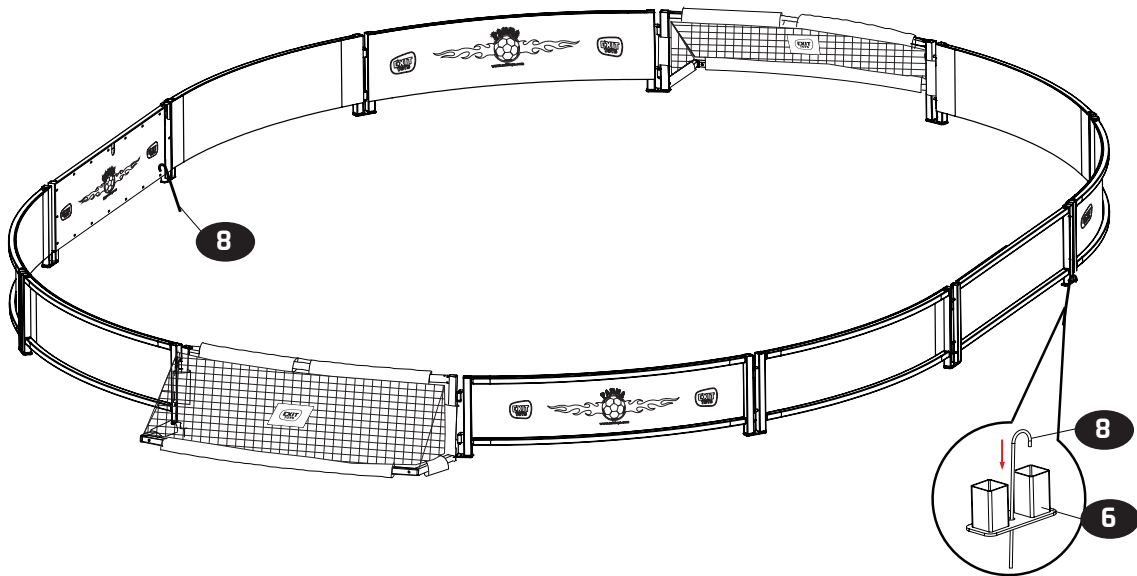
6

Part.Nr.	Qty
6	2



**7**

Part.Nr.	Qty
8	2



# Sports

EXIT Panna-Field



[www.exittoys.com](http://www.exittoys.com)



**Contact Information:**

Dutch Toys Group B.V.  
Edisonstraat 83  
7006 RB Doetinchem, The Netherlands

[info@exittoys.com](mailto:info@exittoys.com)  
[www.exittoys.com](http://www.exittoys.com)

EXIT Toys is part of:

**SIMBA · DICKIE · GROUP**

EXIT Toys is a registered trade mark of Dutch Toys Group