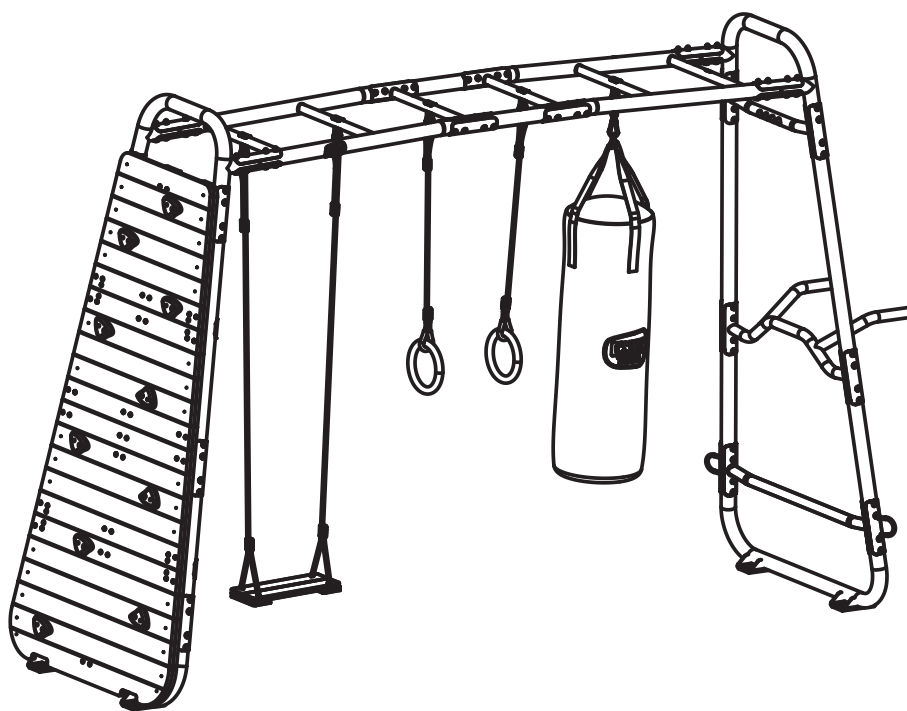




GetSet

EXIT GetSet MB320



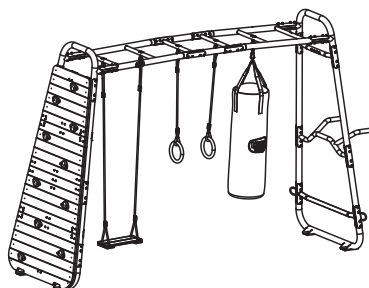
 **WARNING**
CHOKING HAZARD
small parts
Adult assembly required
retain for future reference



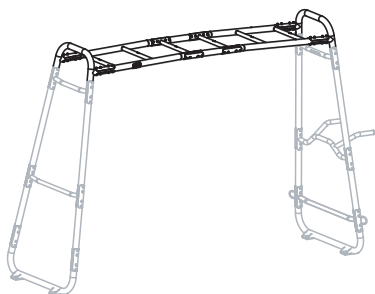
02



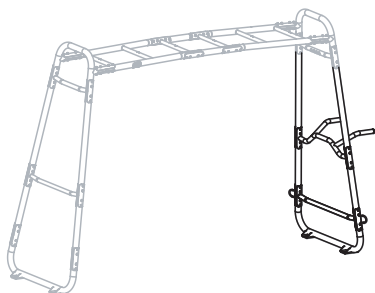
52



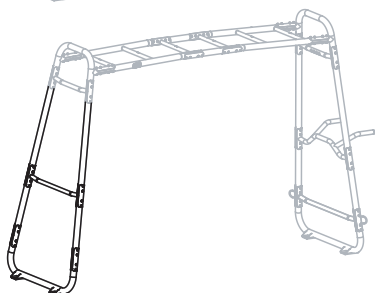
10



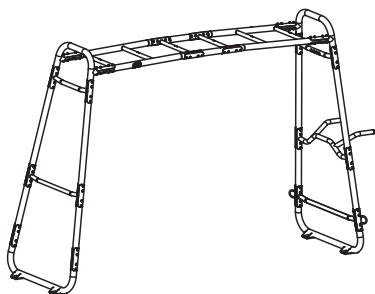
16



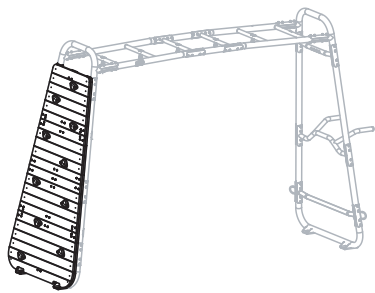
22

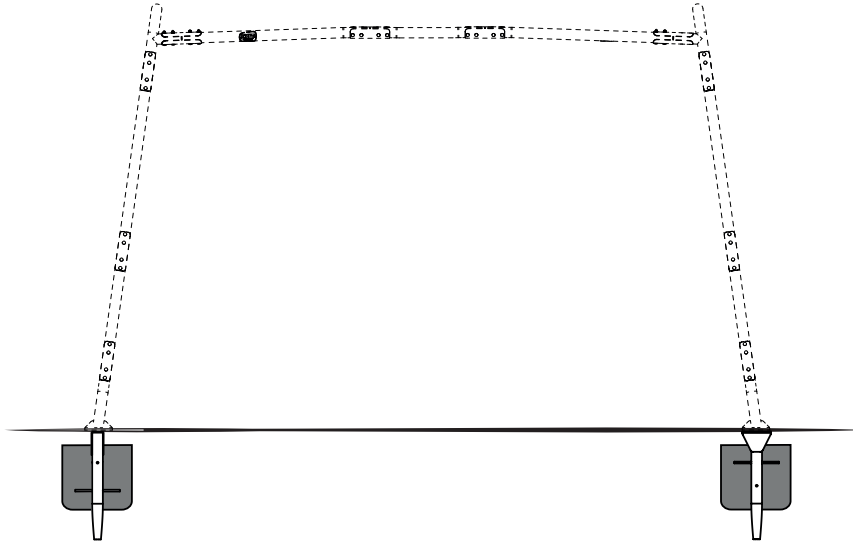


28

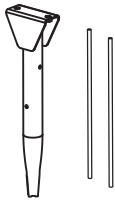


38



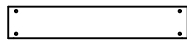


1



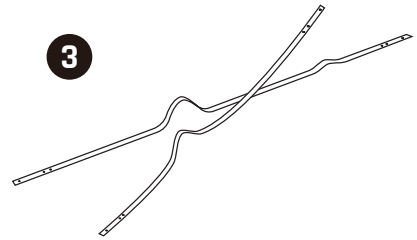
61.80.30.20 4X

2



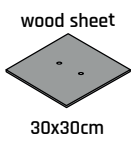
61.82.50.50 2X

3



61.85.50.60 1X

4



wood sheet
30x30cm

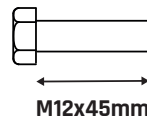
1X

5



Ø37*Ø13*3.0 8X

6



M12x45mm

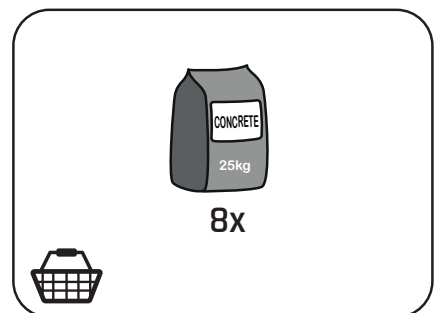
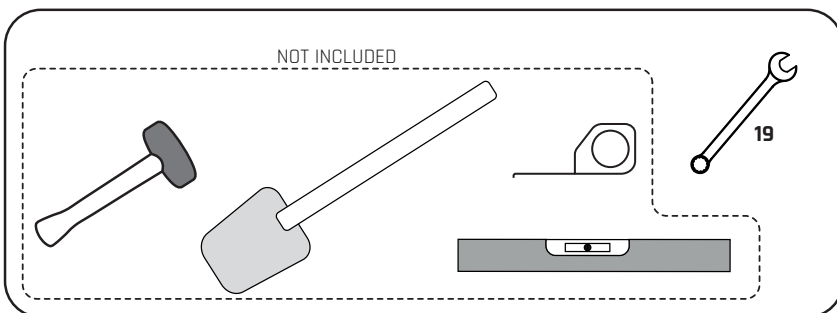
M12x45mm 8X

7

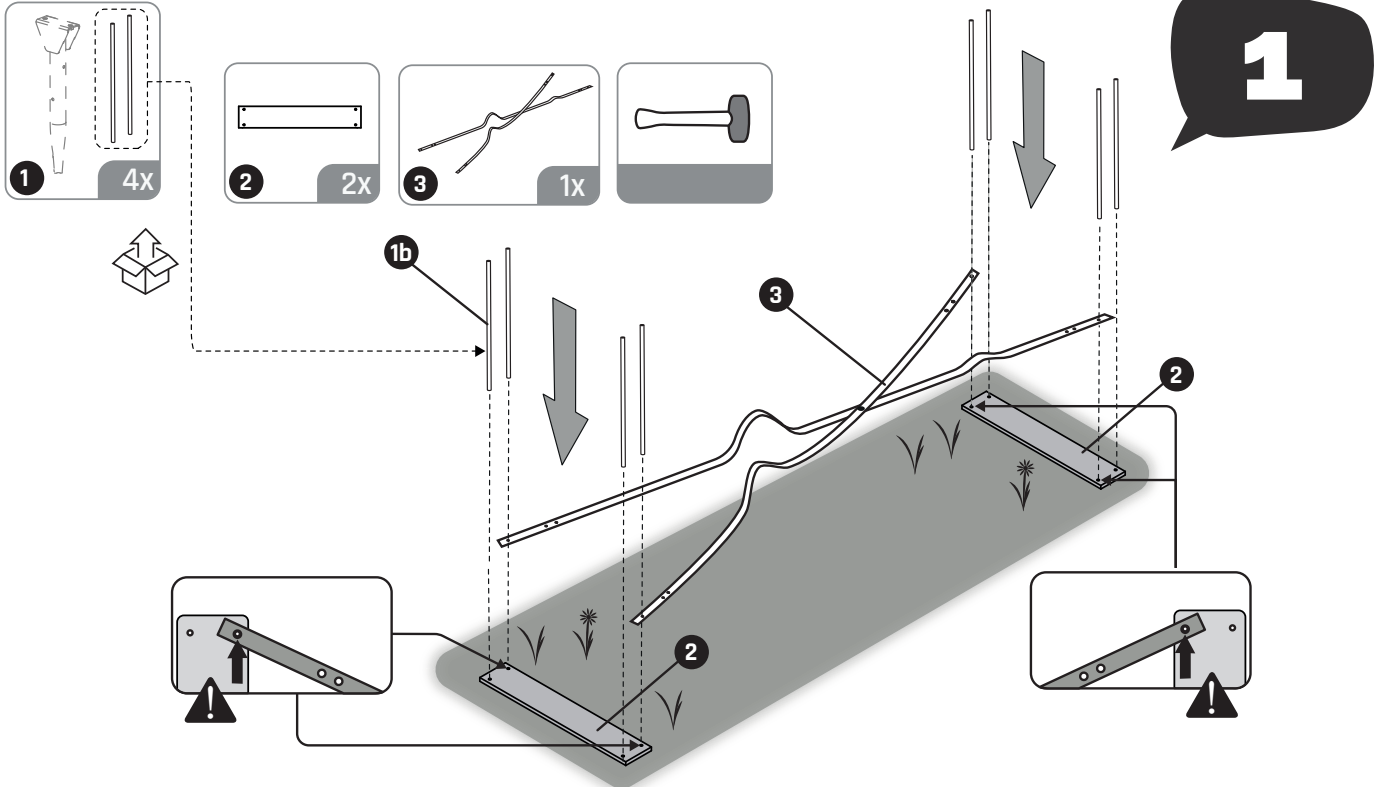


Ø13 8X

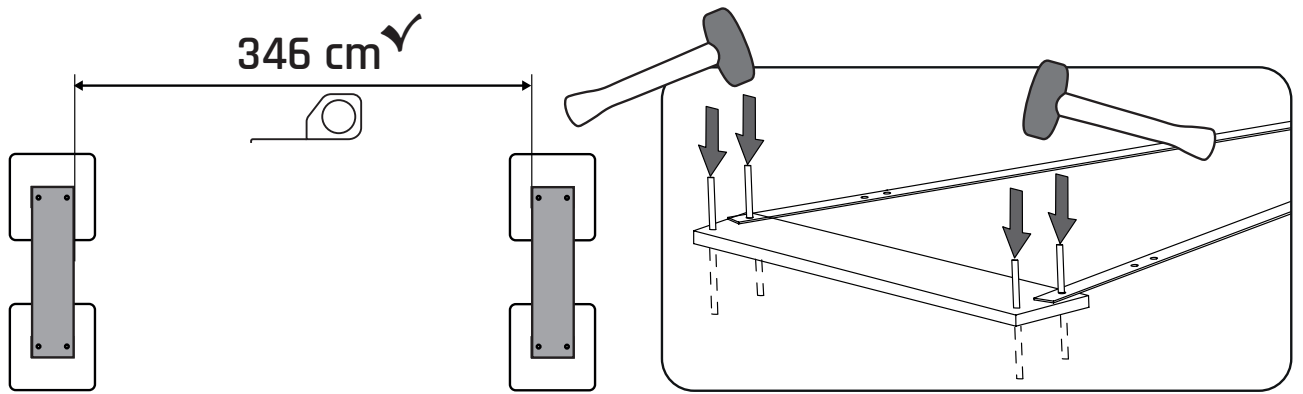
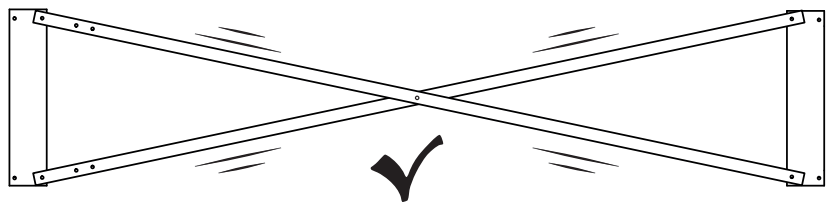
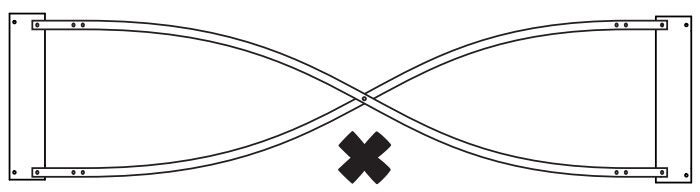
61.82.40.20 2X



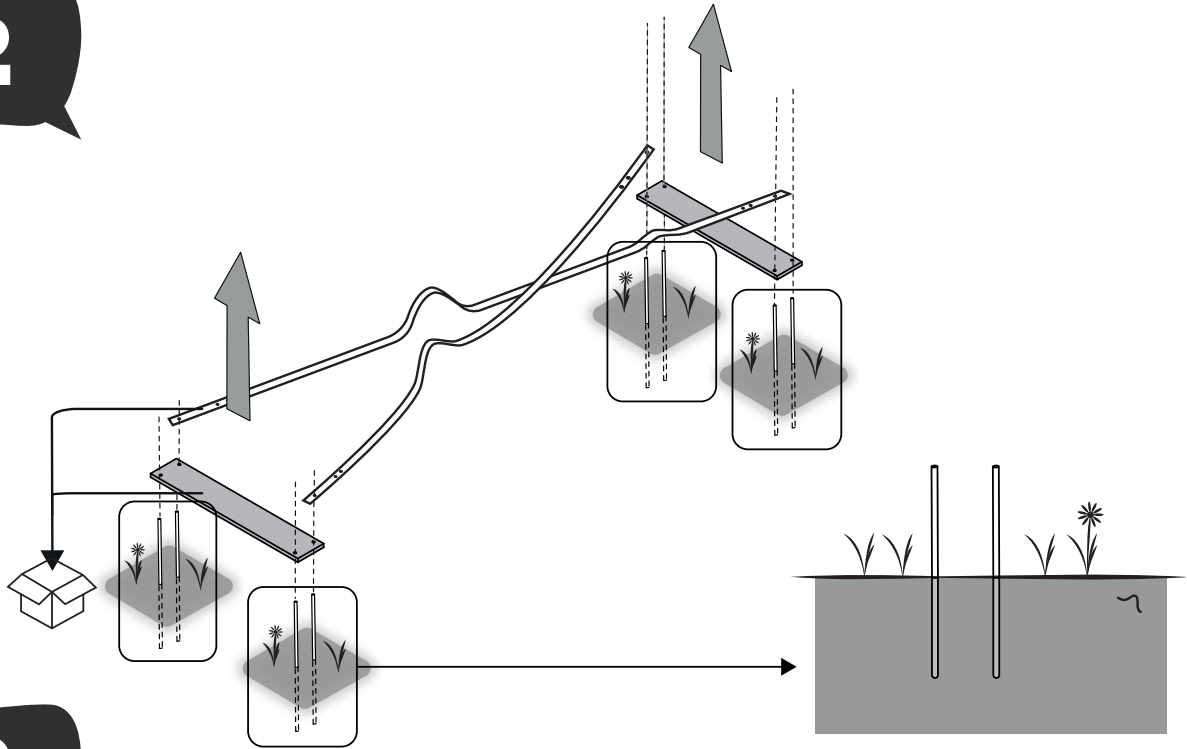
8X



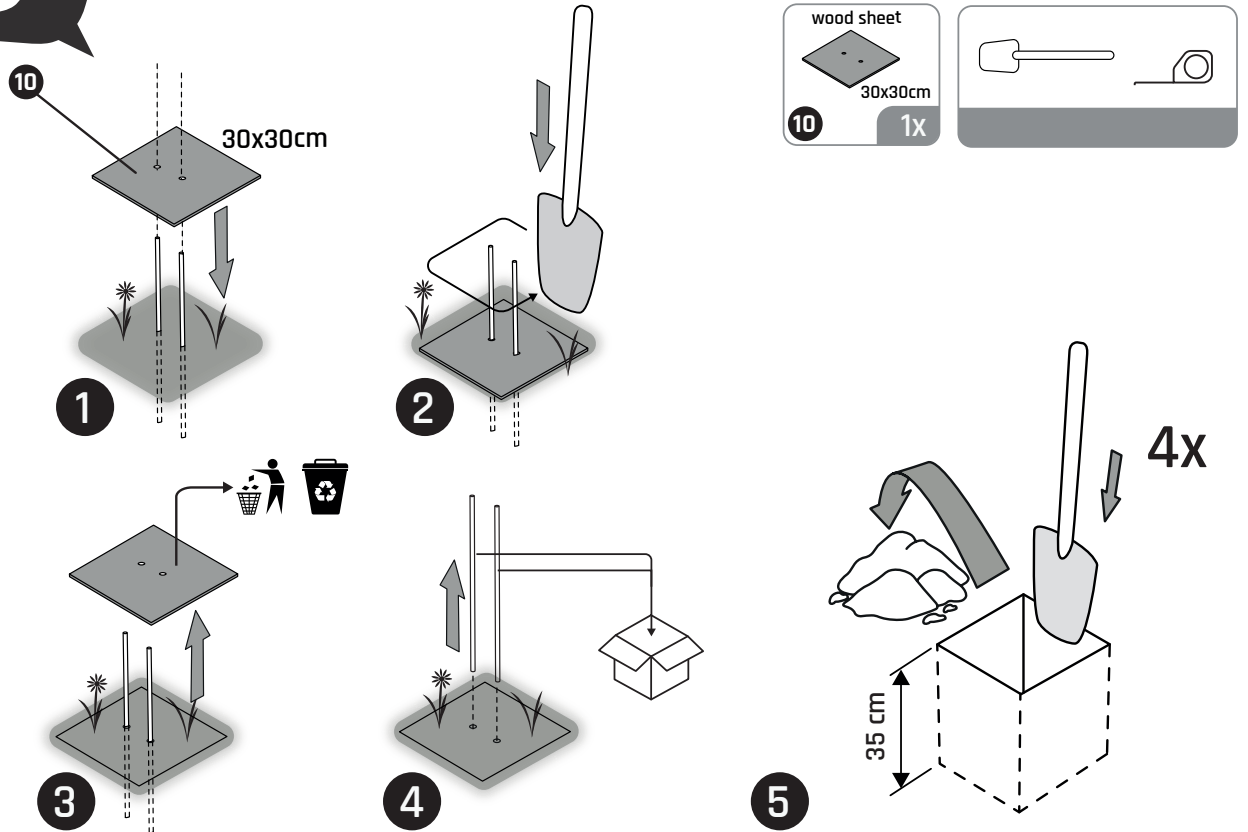
MB 300



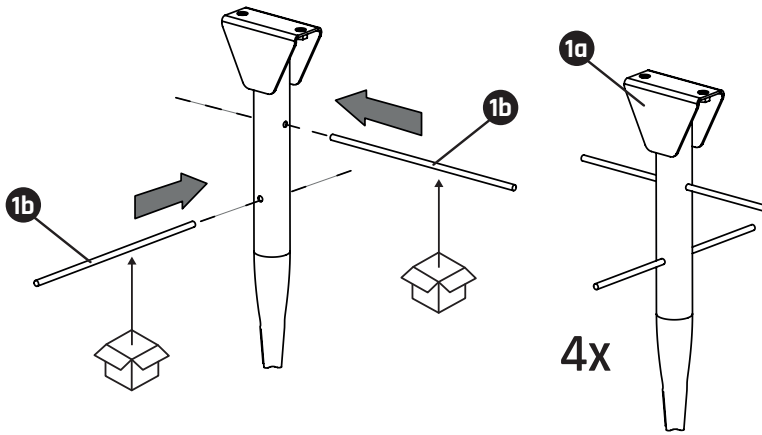
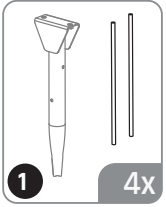
2



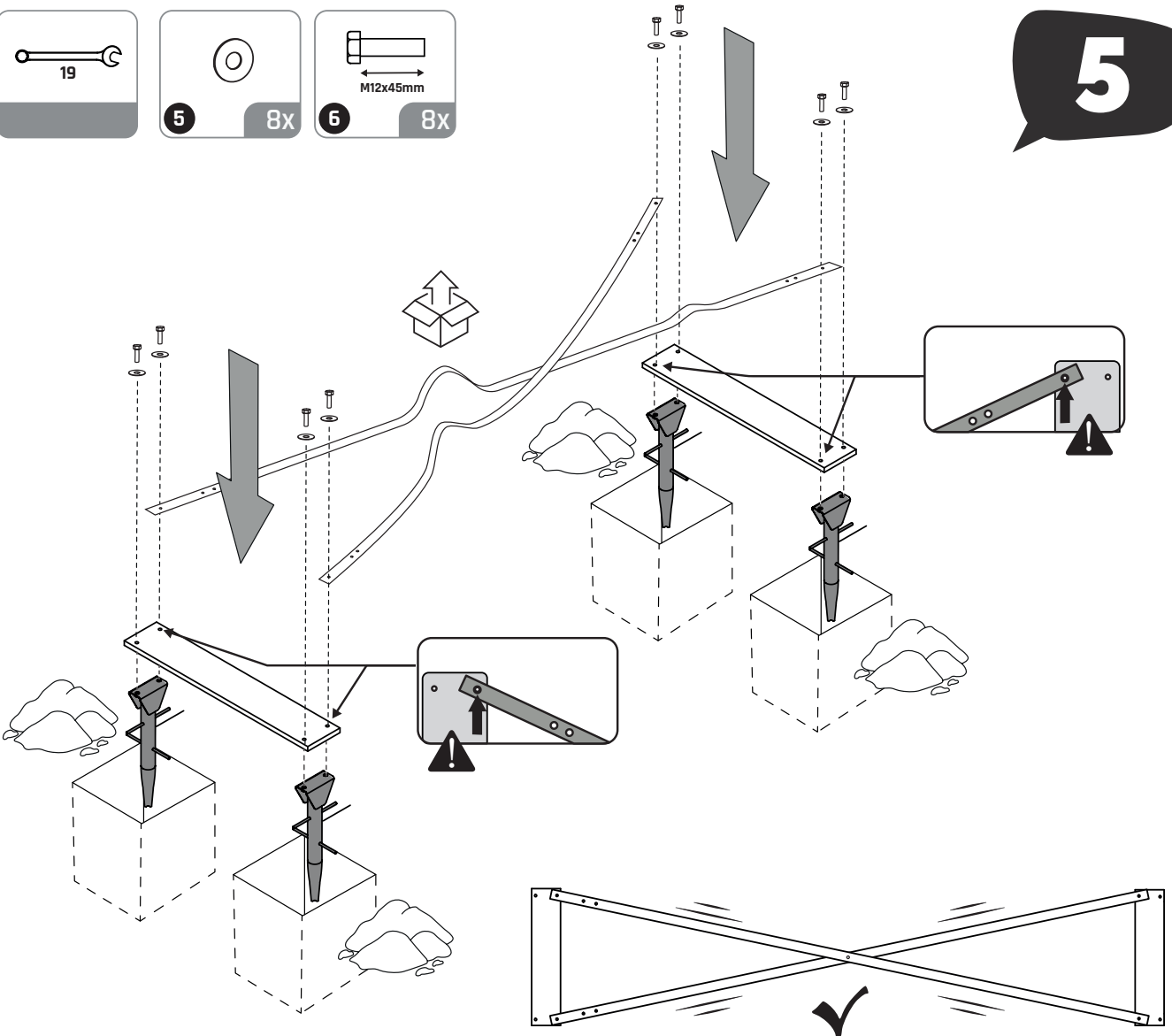
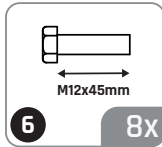
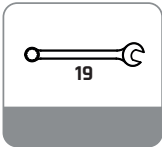
3



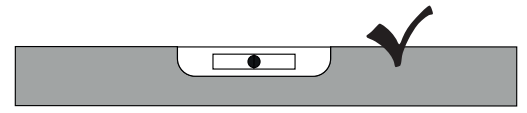
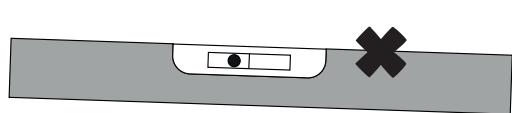
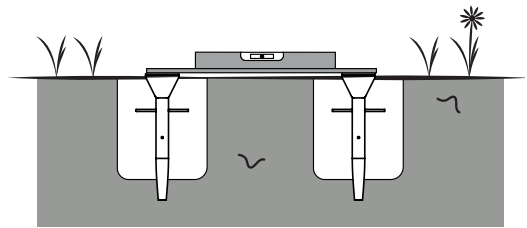
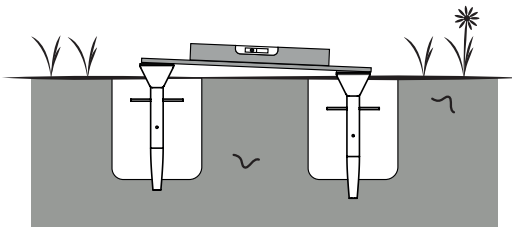
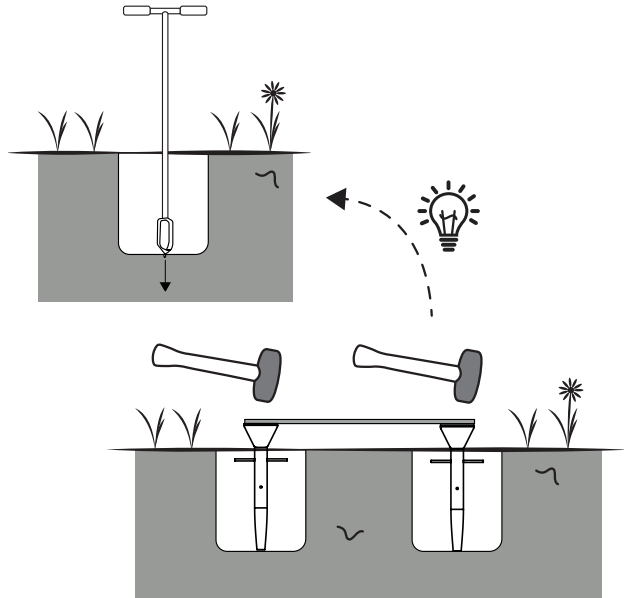
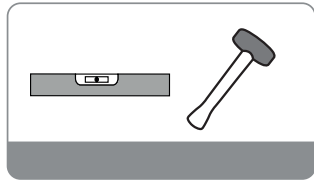
4



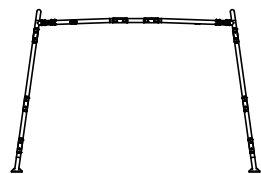
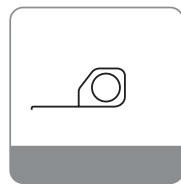
5



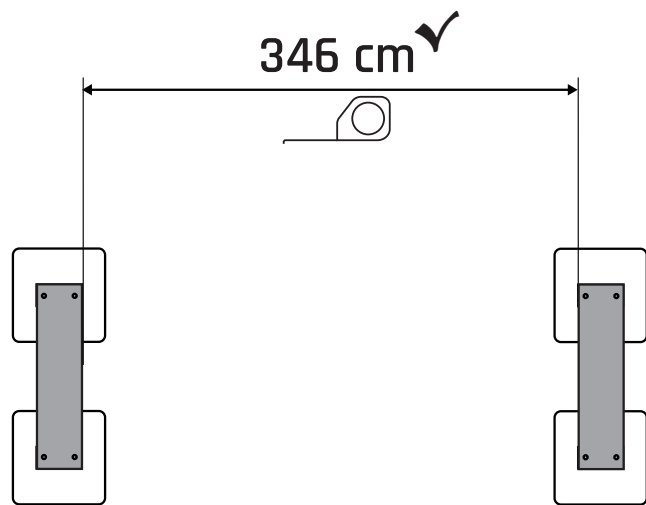
6



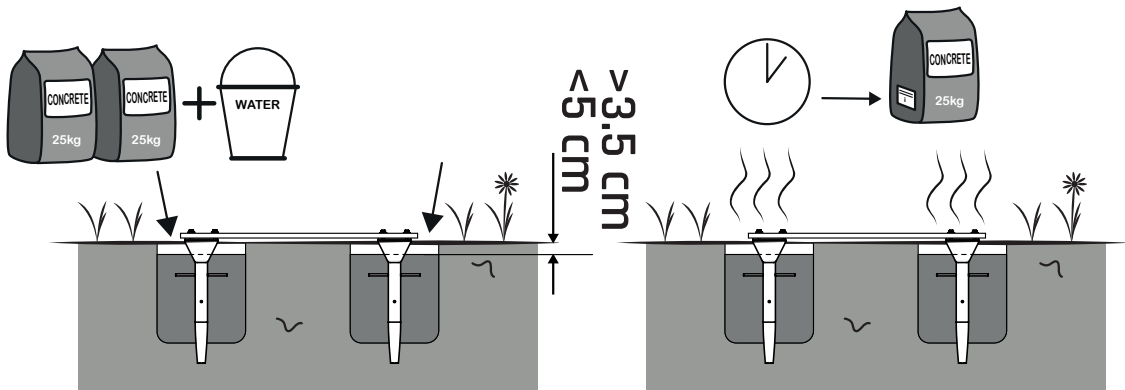
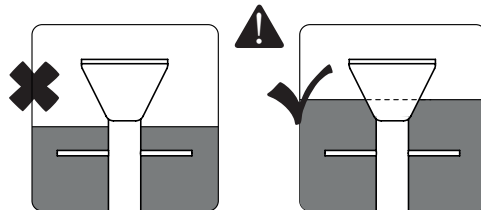
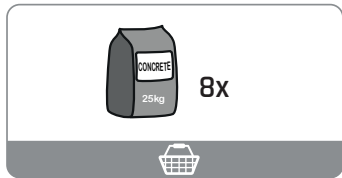
7



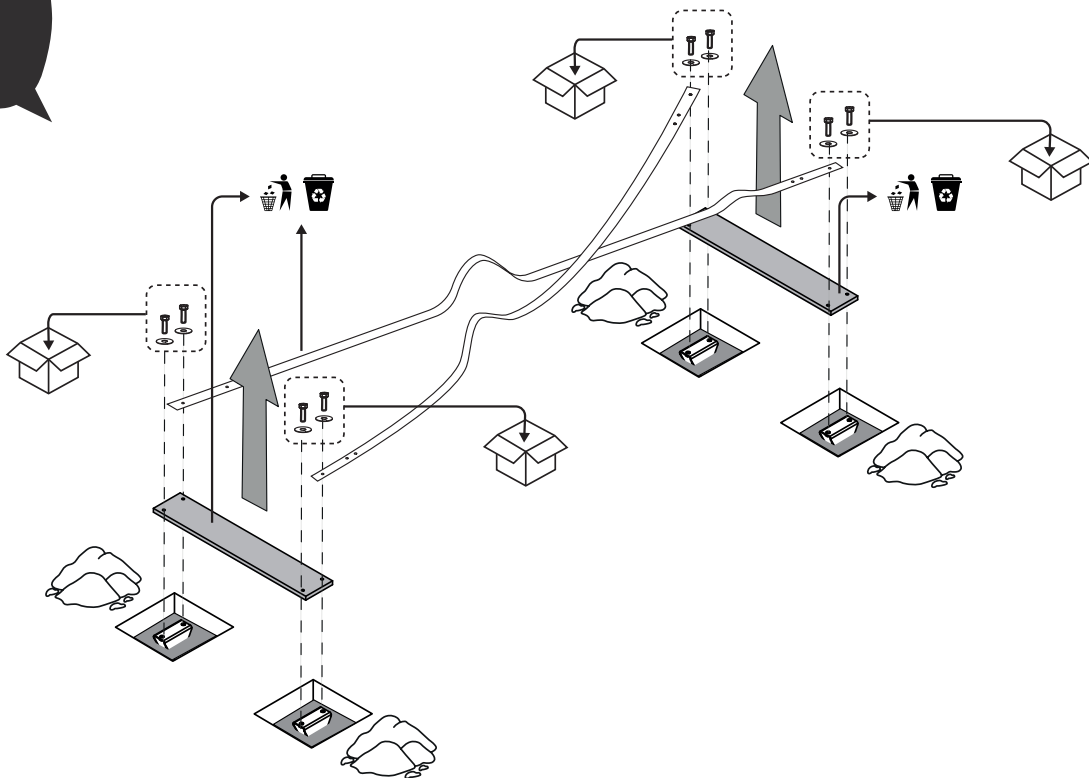
MB 300

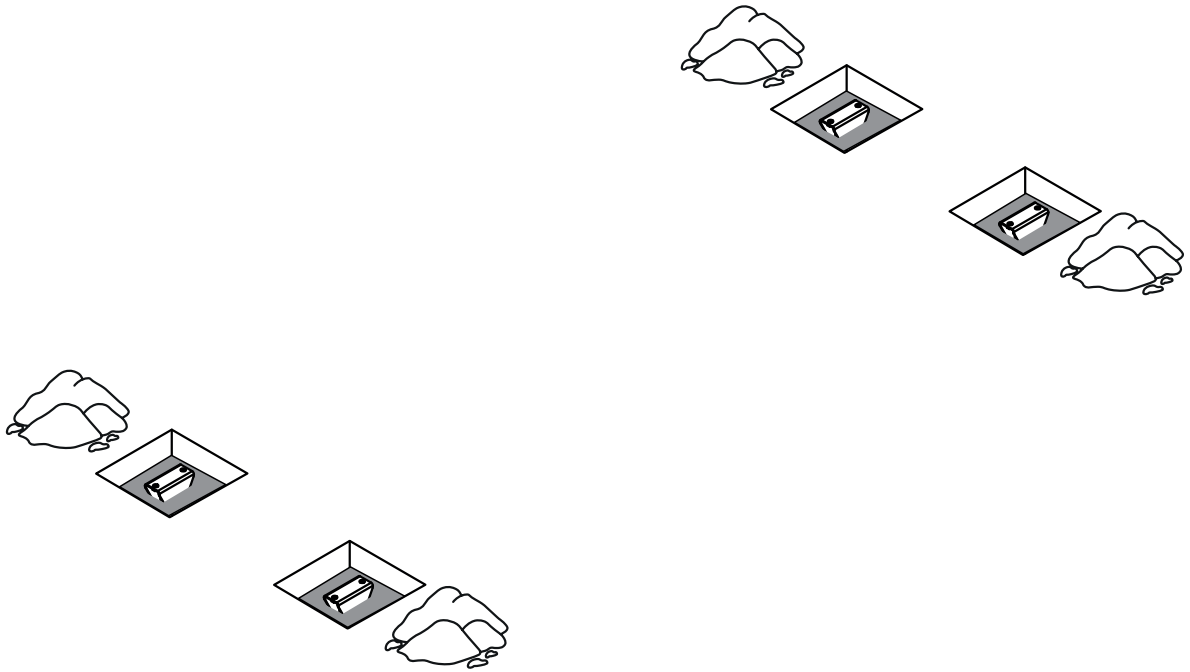


8

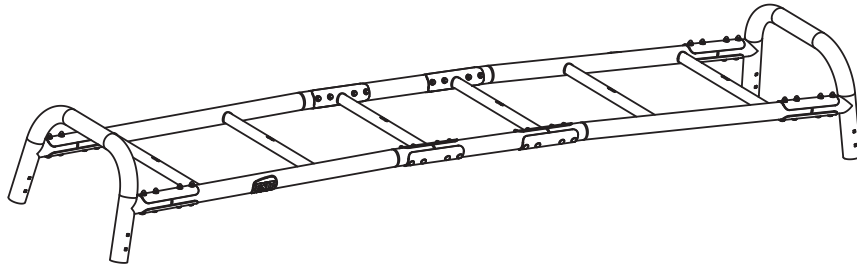


9

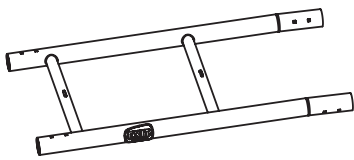






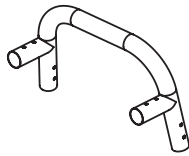


1



61.82.10.20 2X

2



61.82.10.10 2X

3



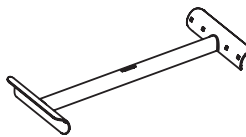
61.80.30.00 8X

4



61.80.30.10 12X

5



61.82.10.50 2X

11



61.83.20.47 2X

6



M8x78mm 32X

7



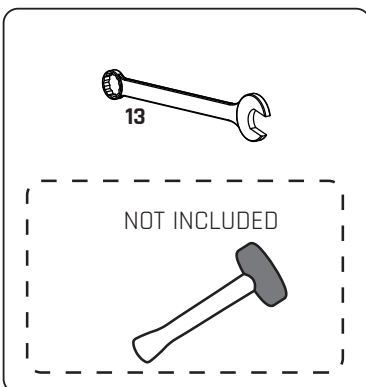
M8 32X

8

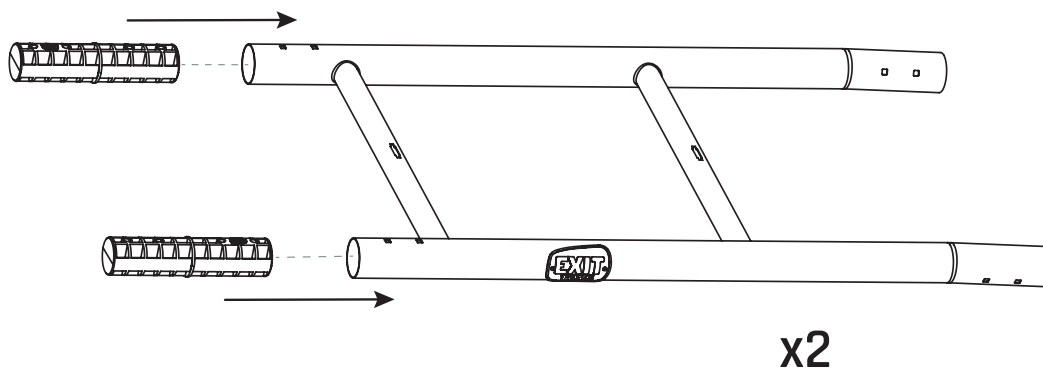
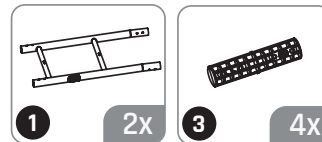


M8 32X

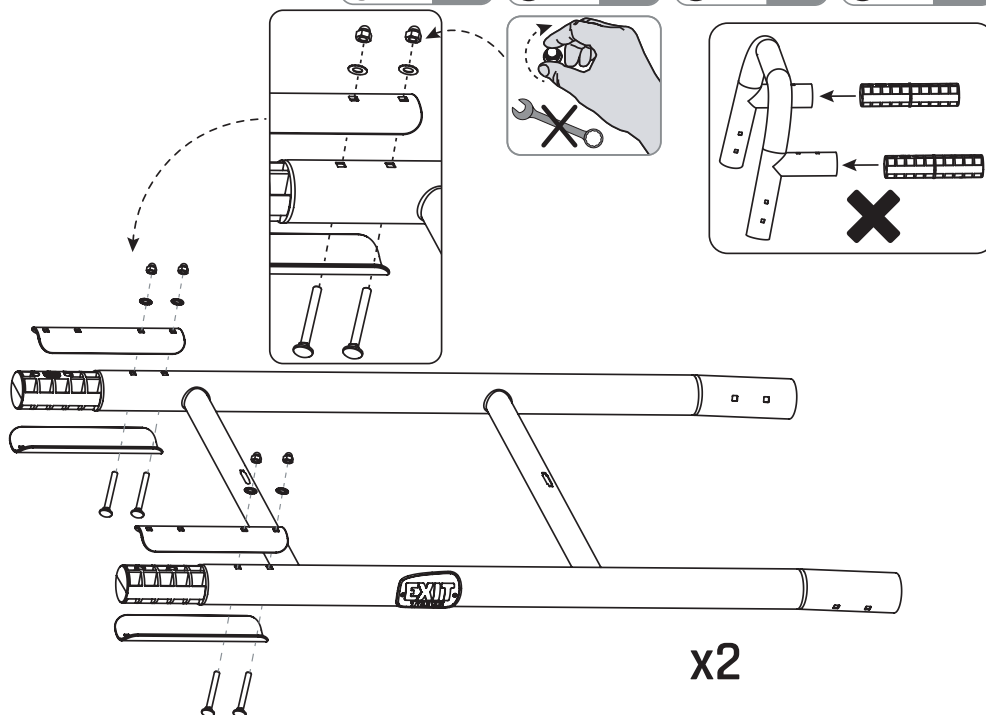
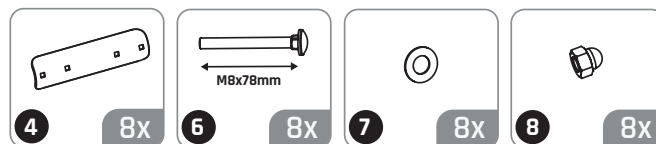
61.83.40.30 1X



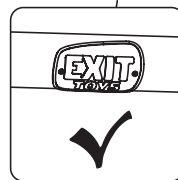
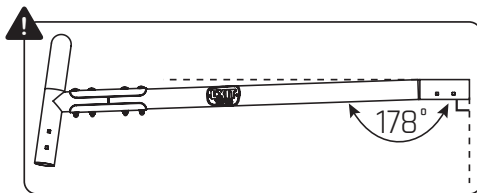
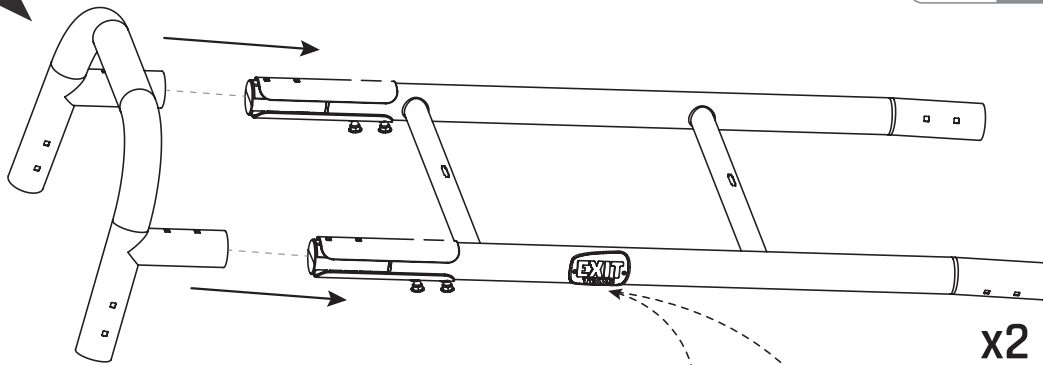
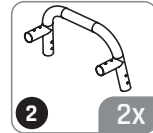
1



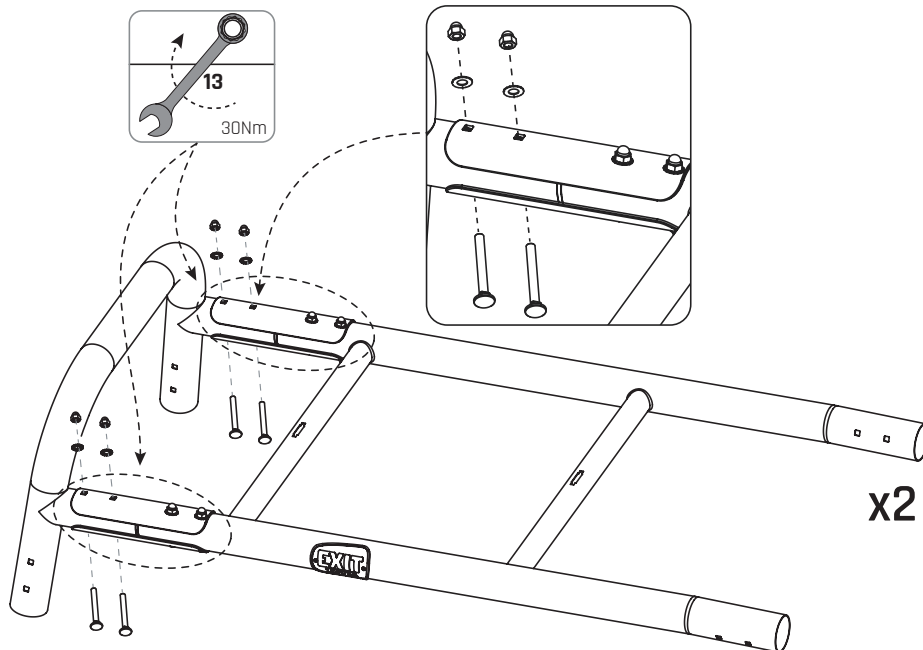
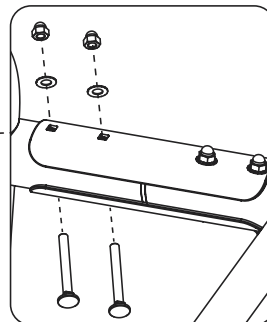
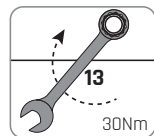
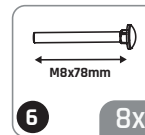
2



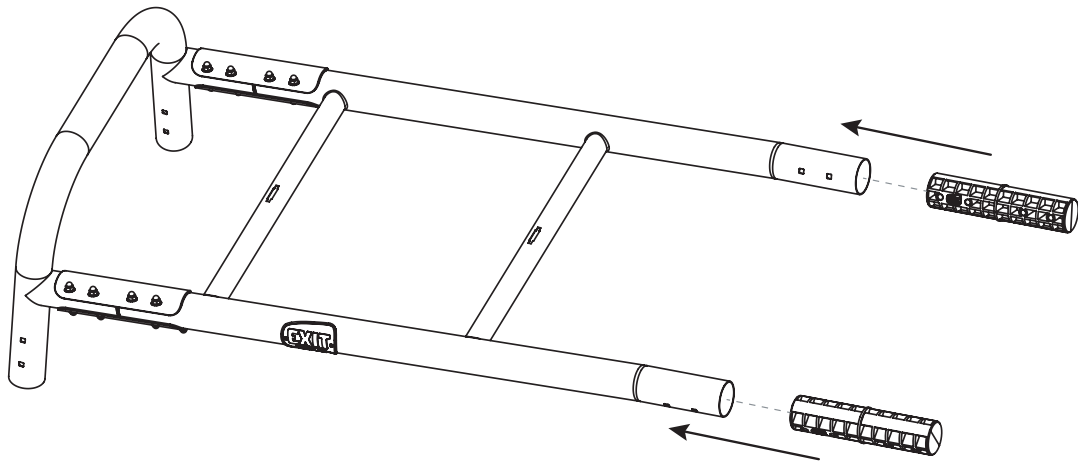
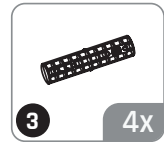
3



4

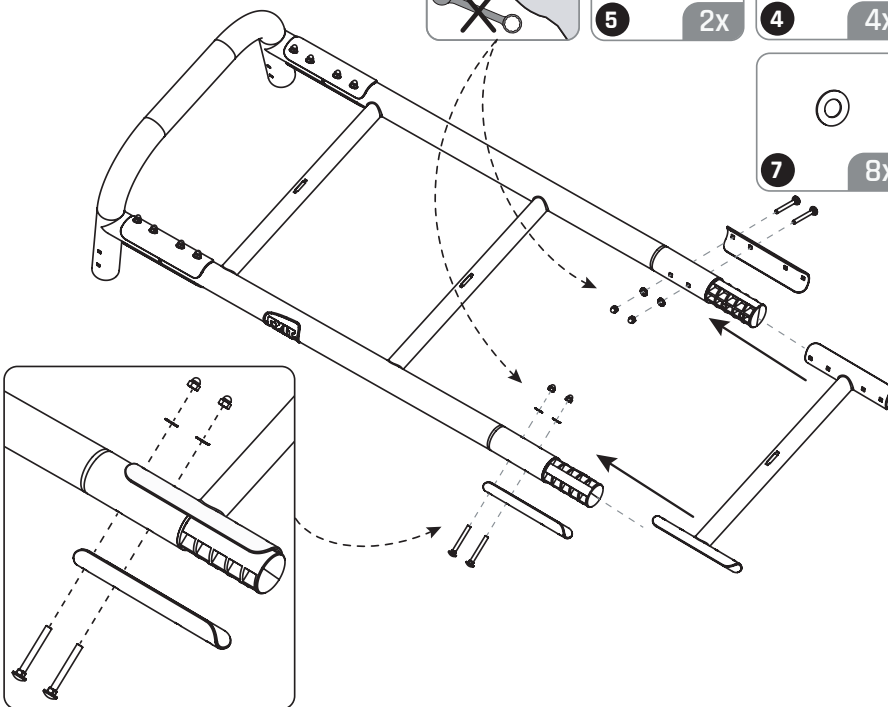
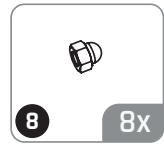
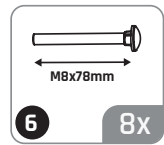
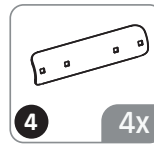
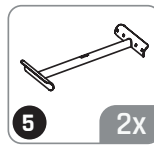


5



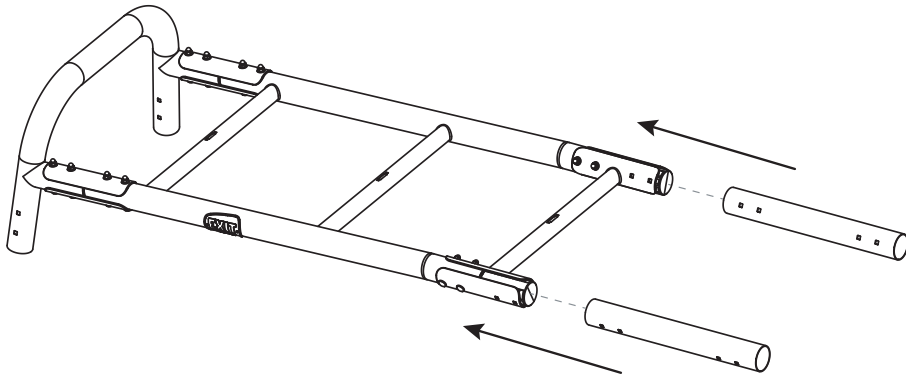
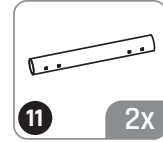
x2

6

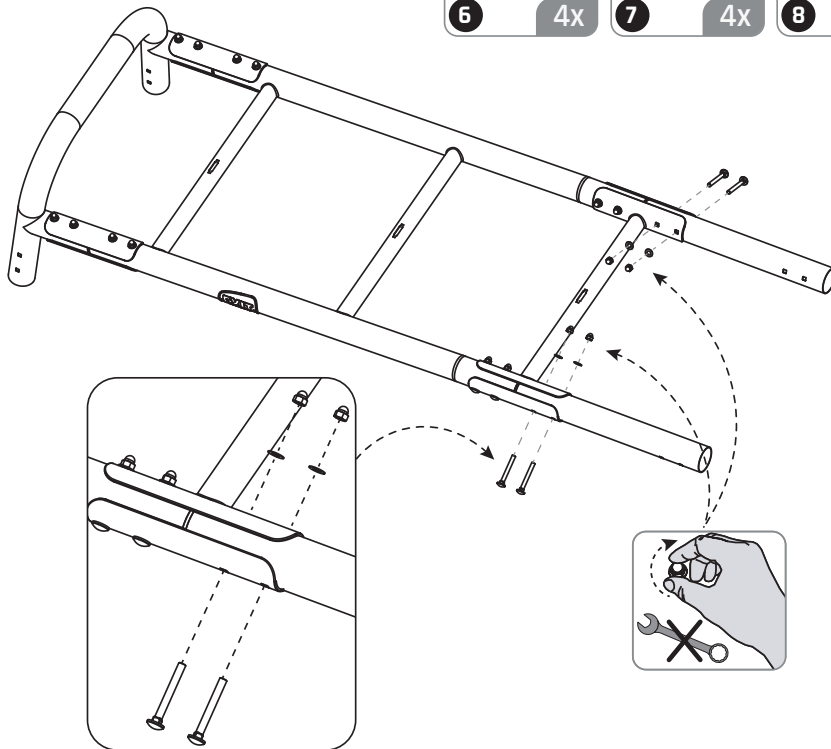
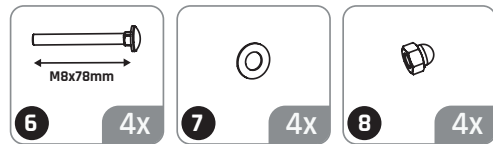


x2

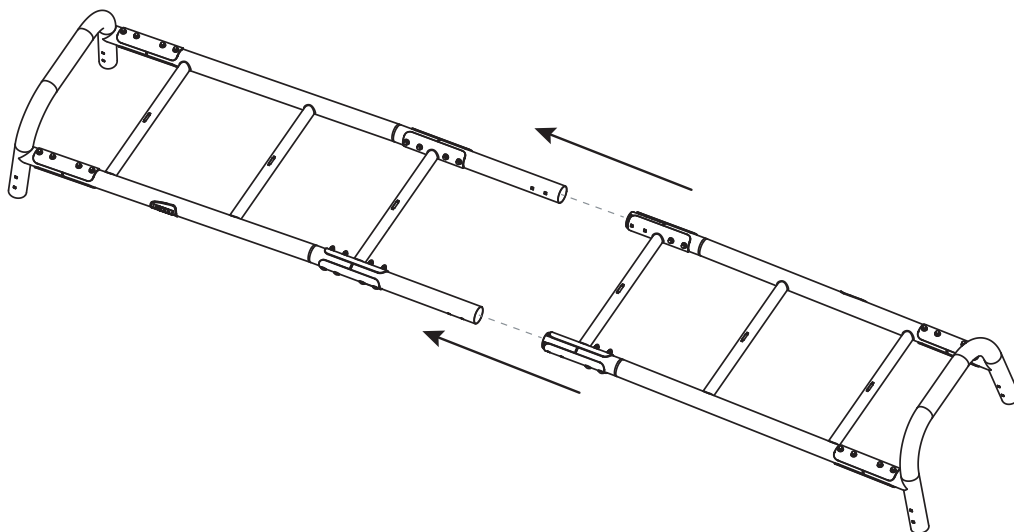
7



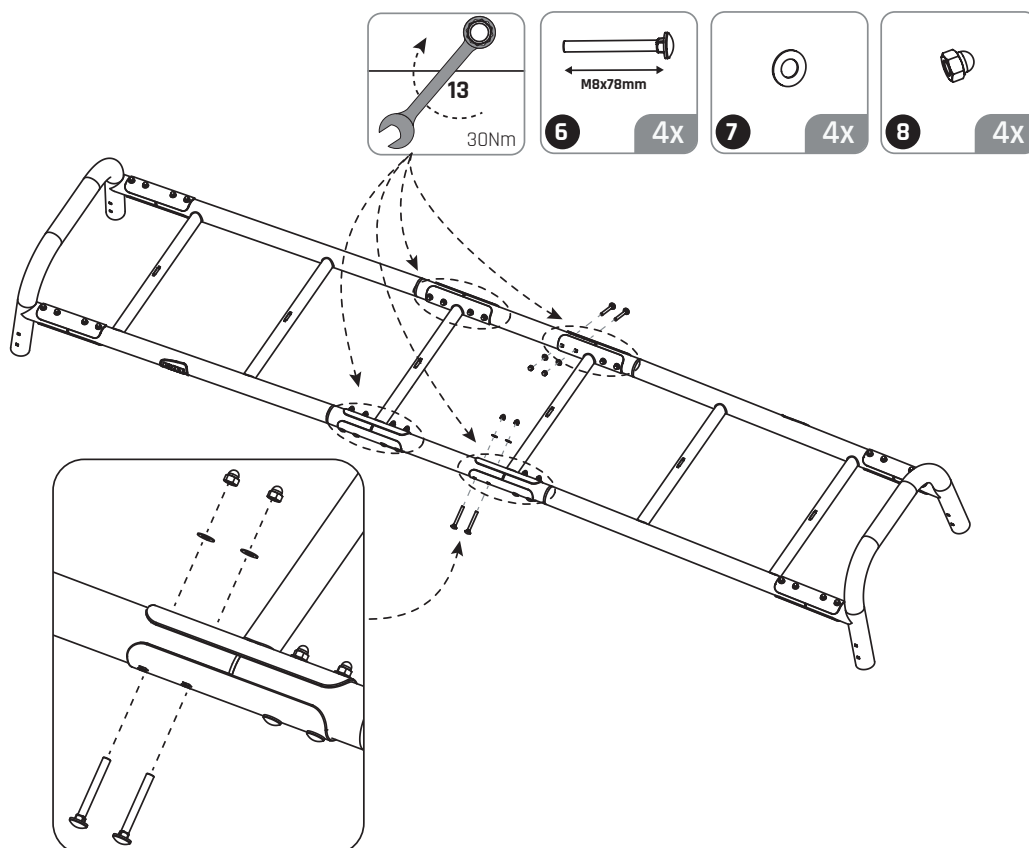
8

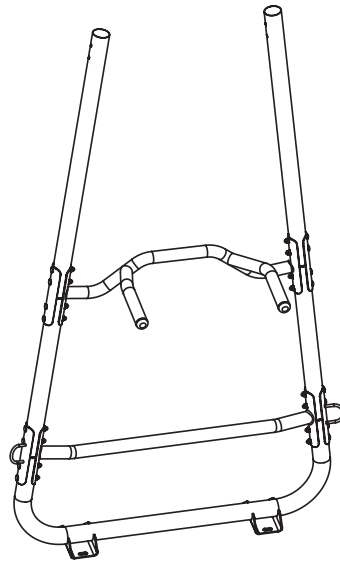


9



10





1



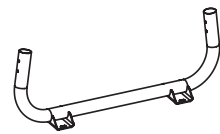
61.80.30.00 | 4X

2



61.80.30.10 | 2X

3



61.82.10.30 | 1X

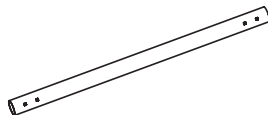
4



645mm

61.82.20.65 | 2X

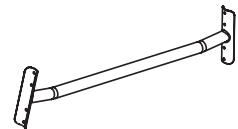
5



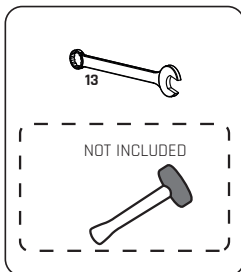
1060mm

61.82.21.06 | 2X

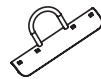
9



54.90.13.00 | 1X



10



54.90.16.00 | 2X

11



54.90.12.00 | 1X

6



M8x78mm

M8x78mm | 16X

7



M8 | 16X

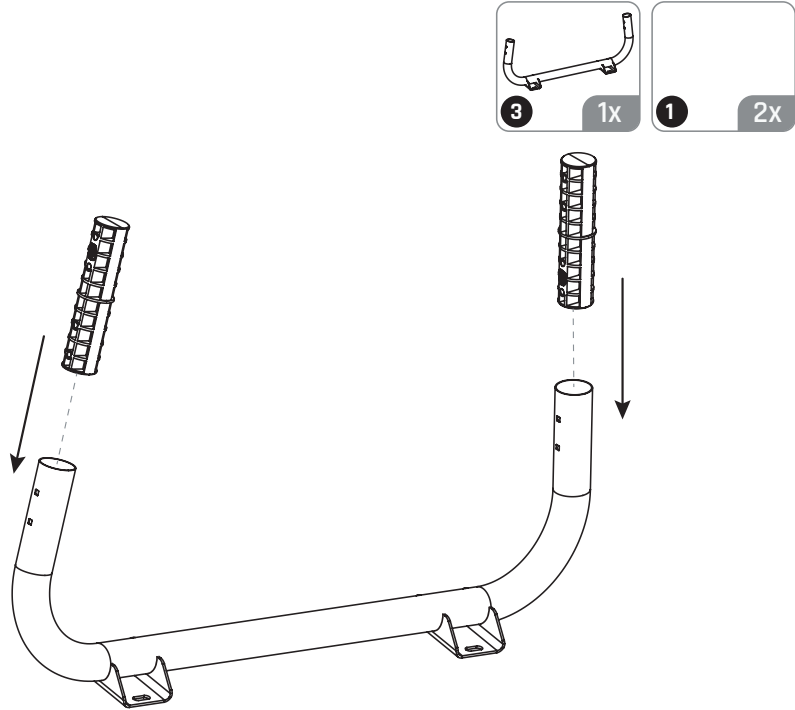
8



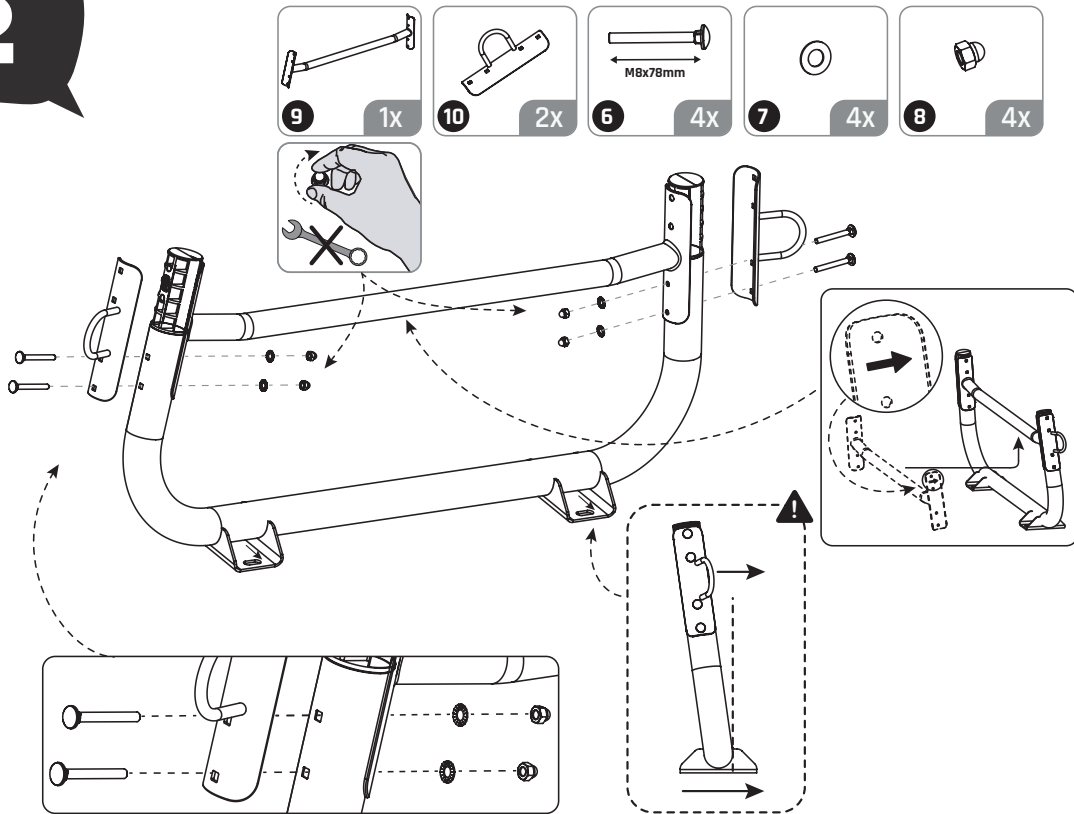
M8 | 16X

61.82.40.40 | 1X

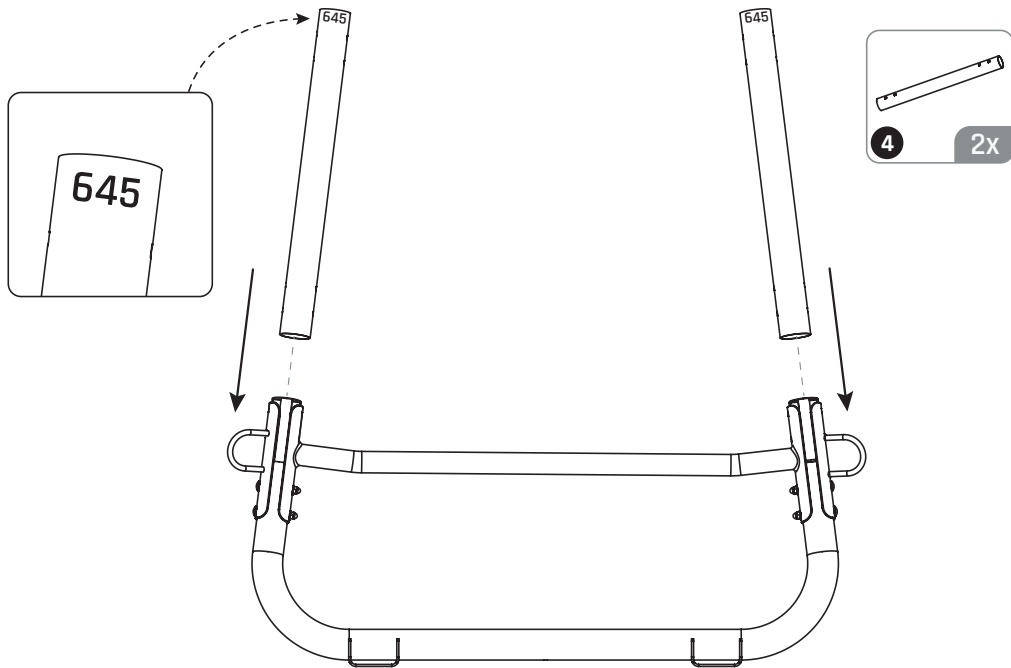
1



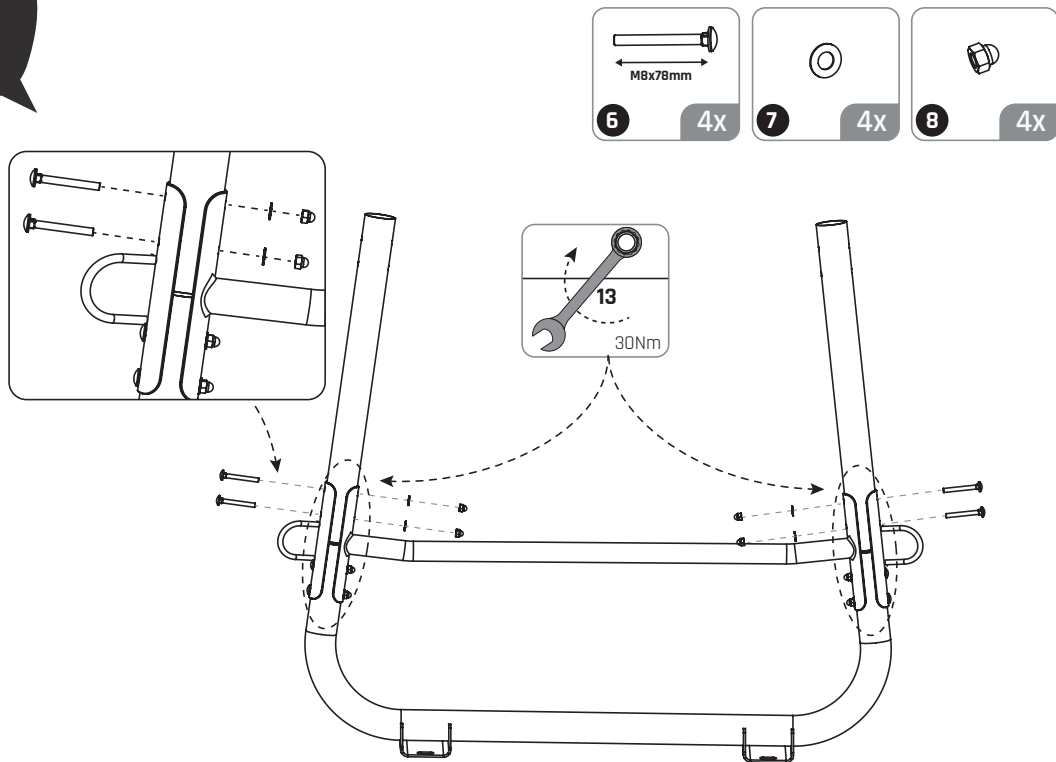
2



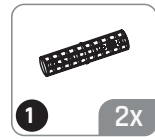
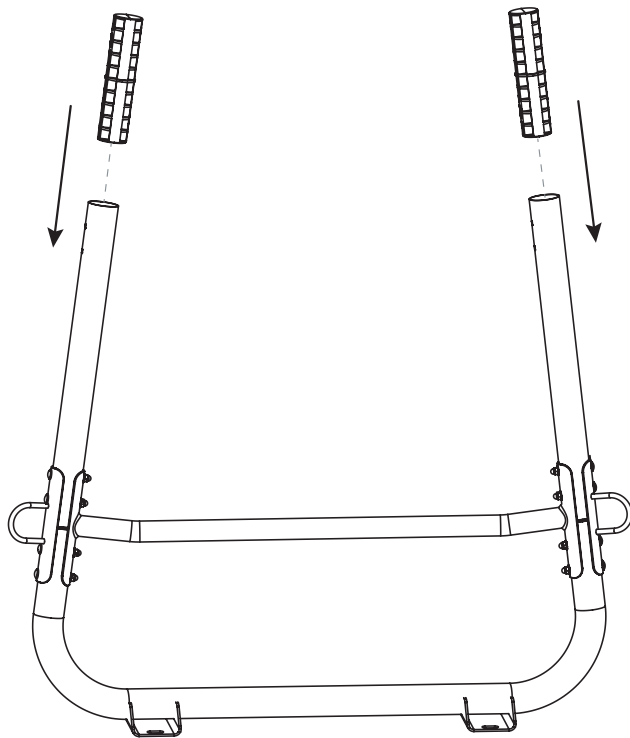
3



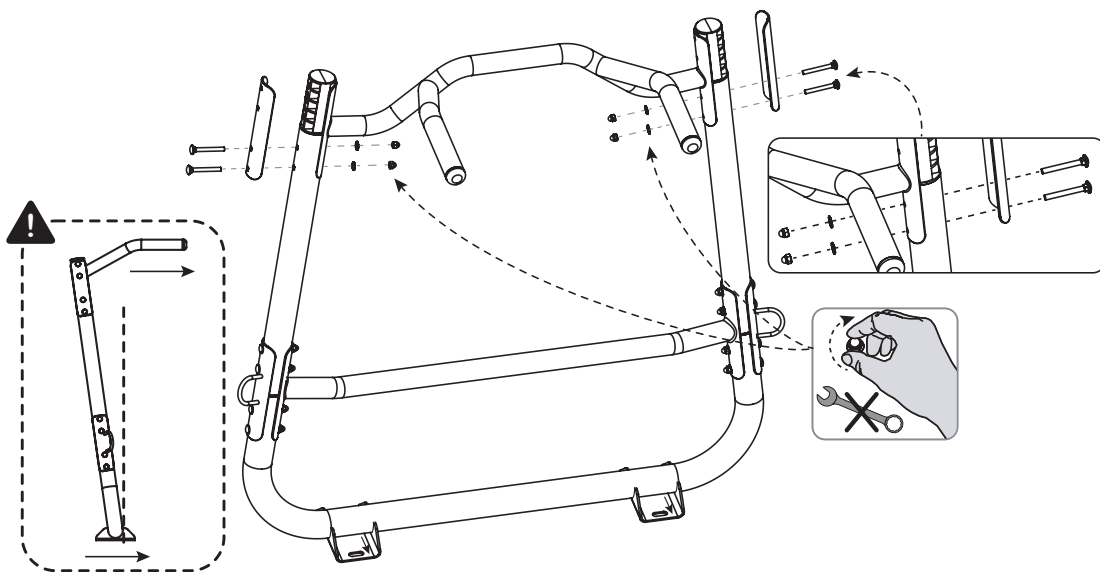
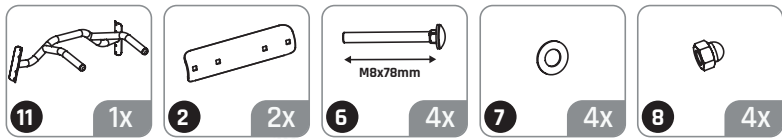
4



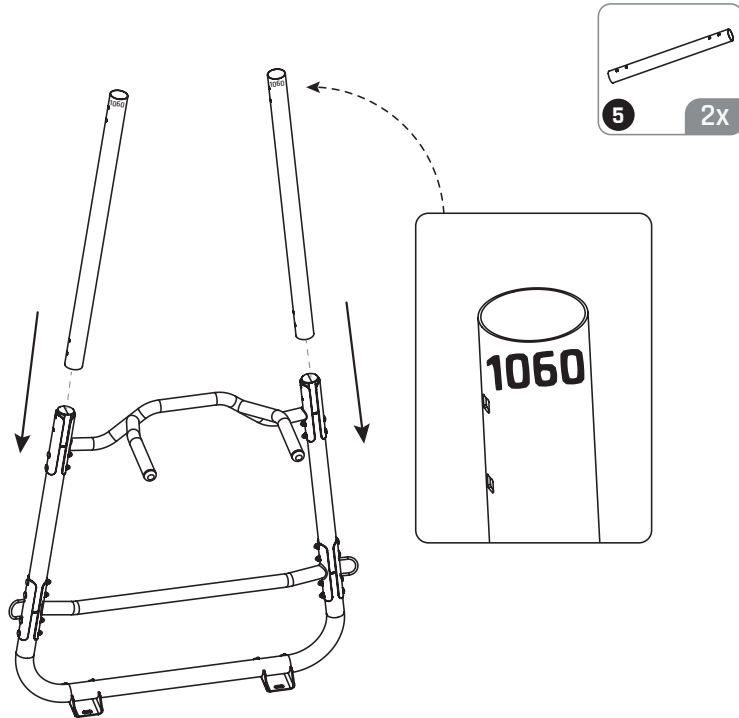
5



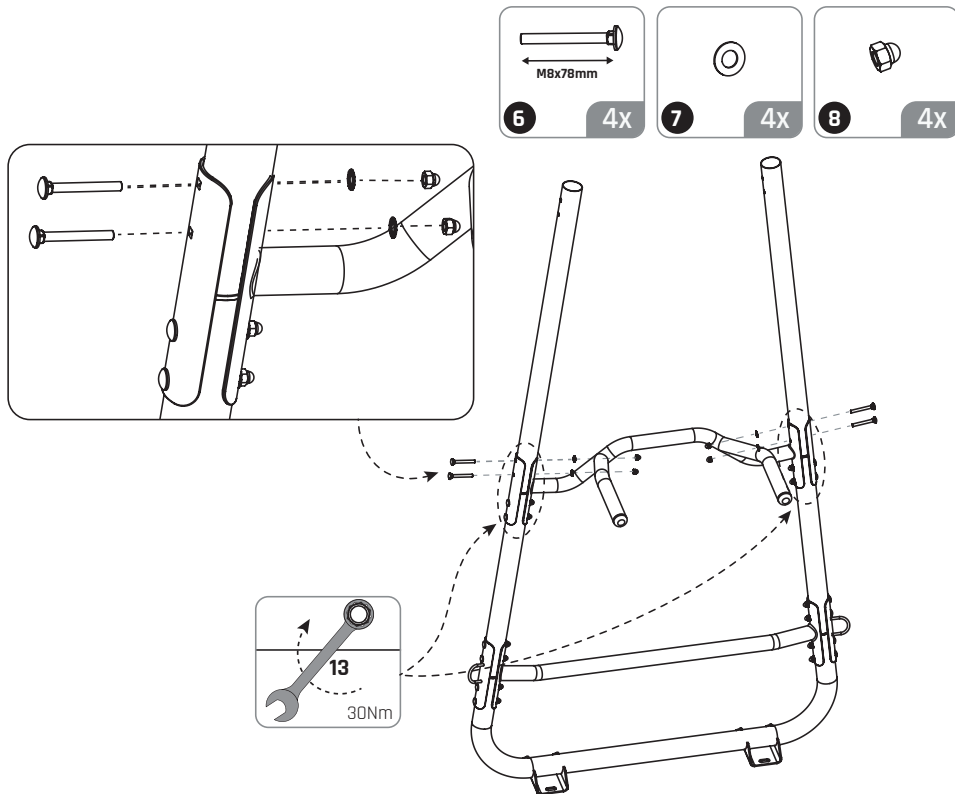
6



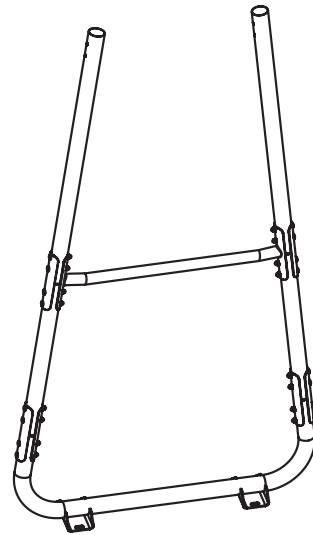
7



8







1



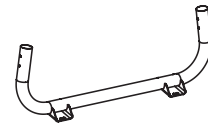
61.80.30.00 4X

2



61.80.30.10 6X

3



61.82.10.30 1X

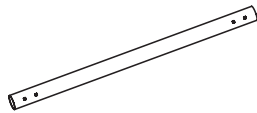
4



645mm

61.82.20.65 2X

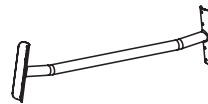
5



1060mm

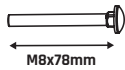
61.82.21.06 2X

9



54.90.17.00 1X

6



M8x78mm 16X

7



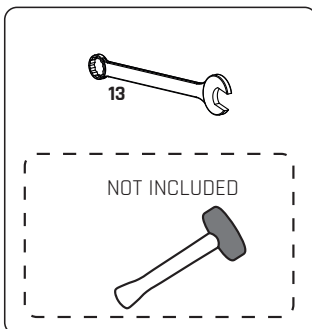
M8 16X

8

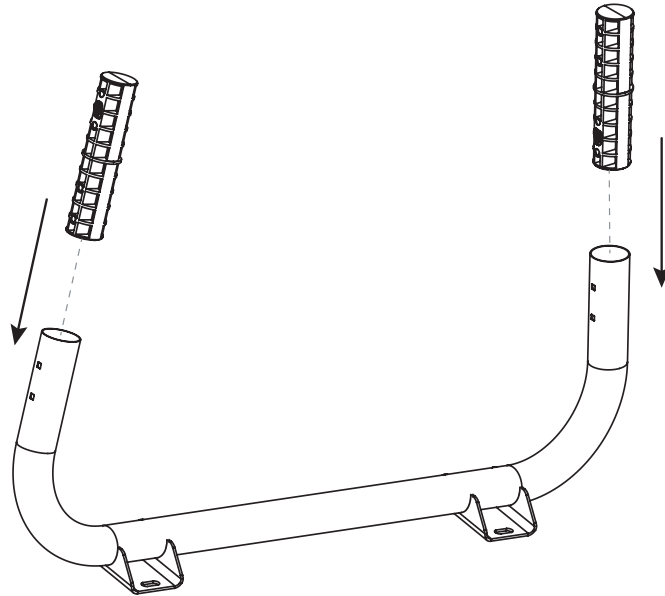
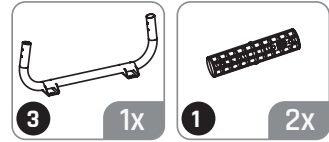


M8 16X

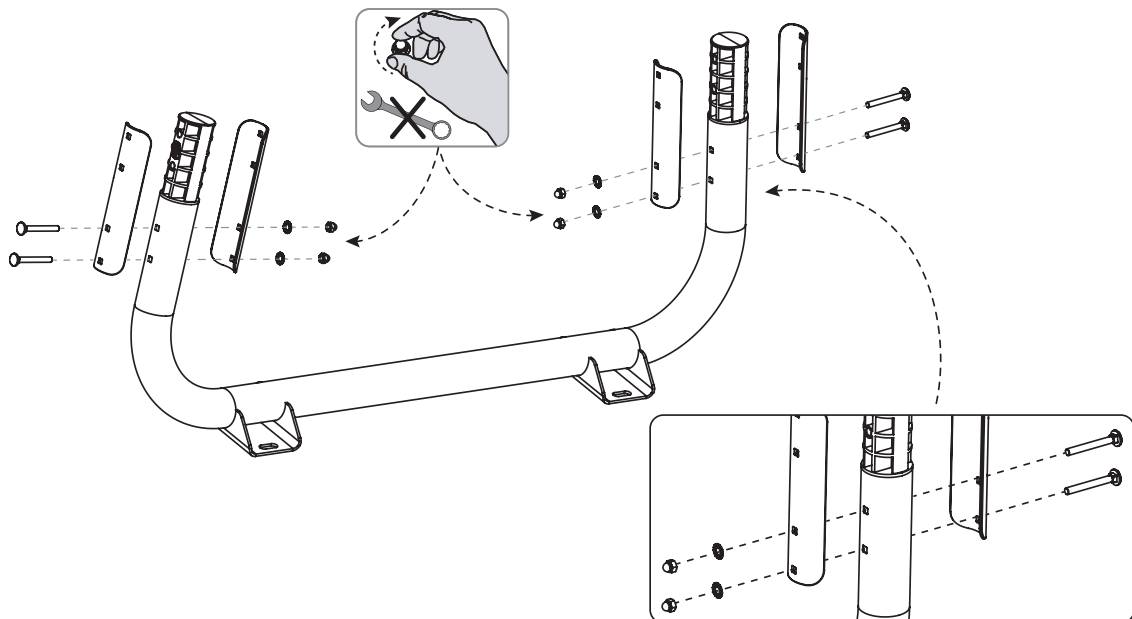
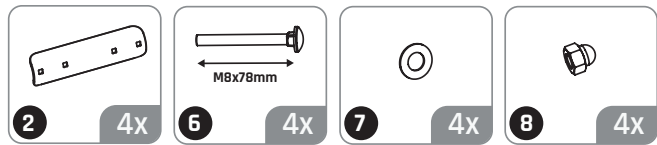
61.82.40.40 1X



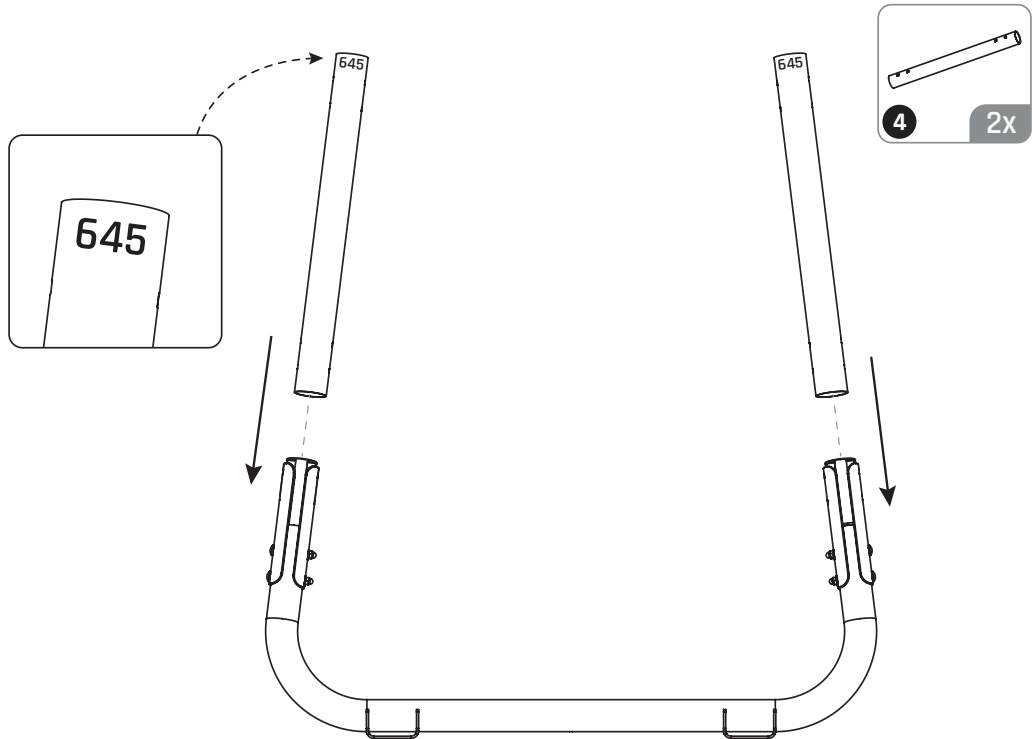
1



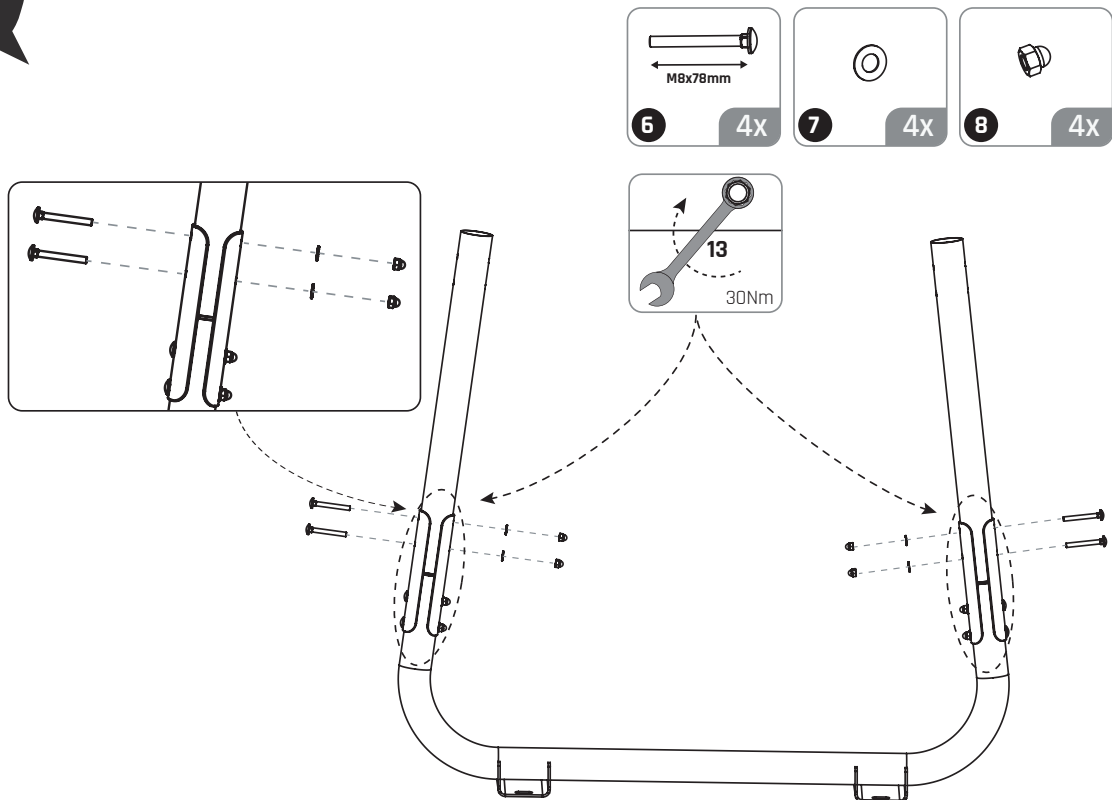
2



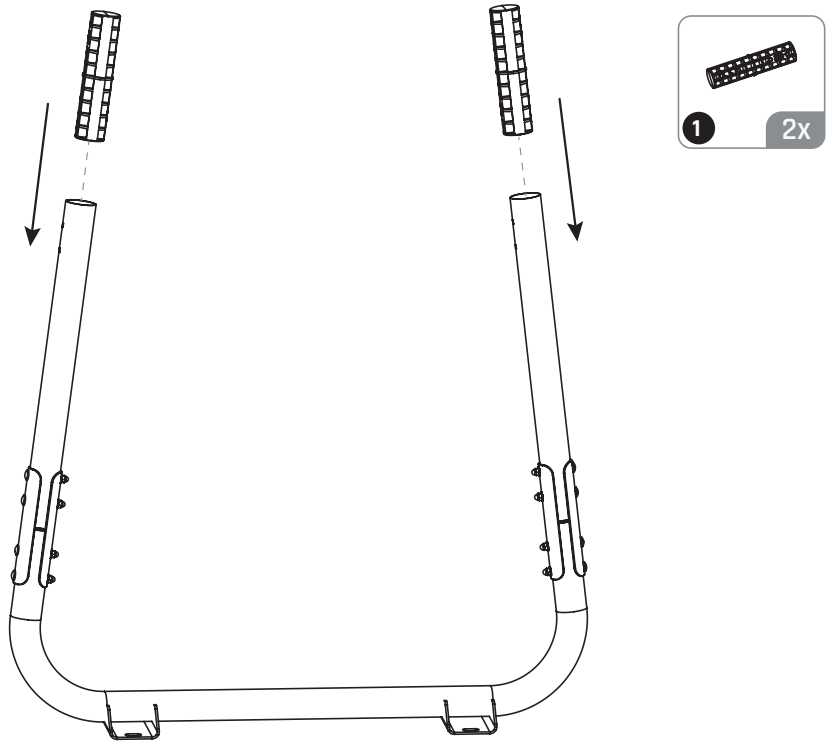
3



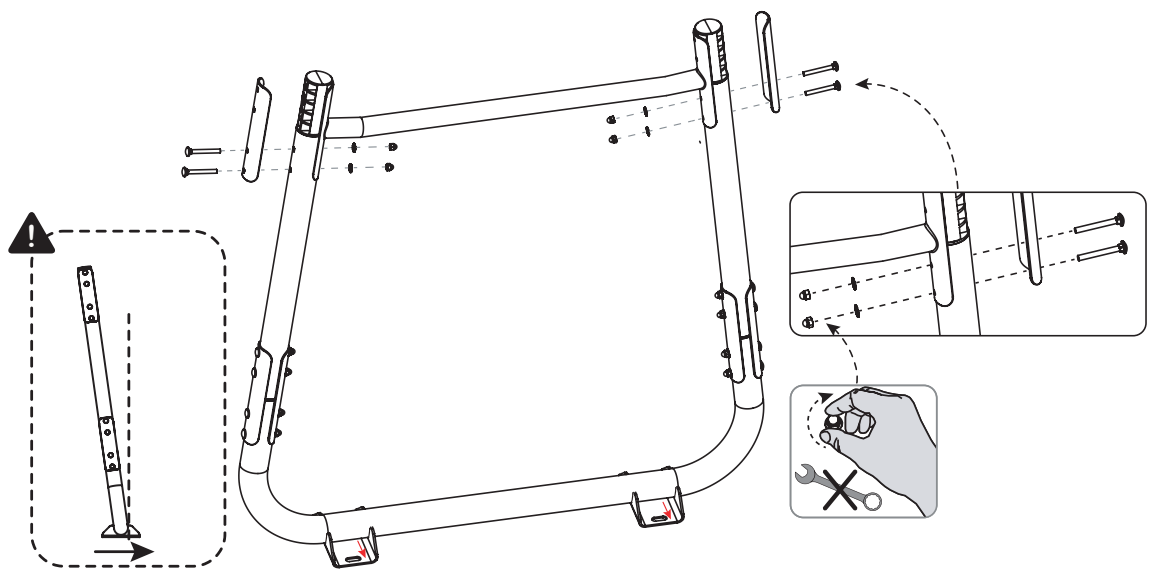
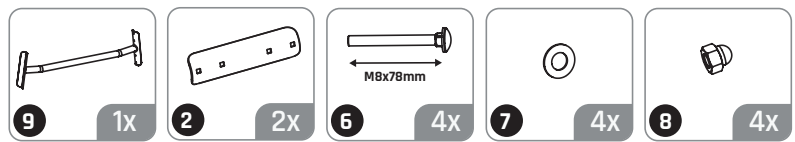
4



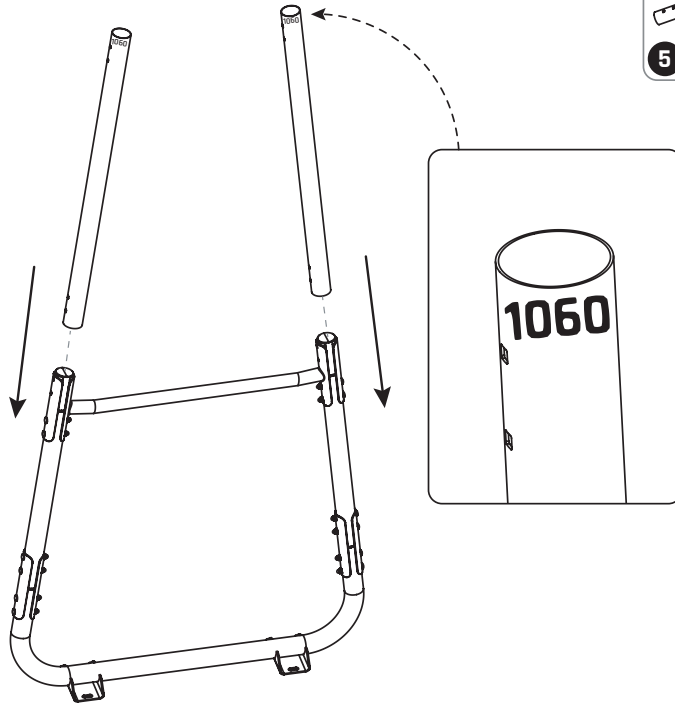
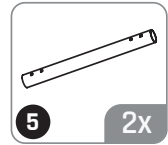
5



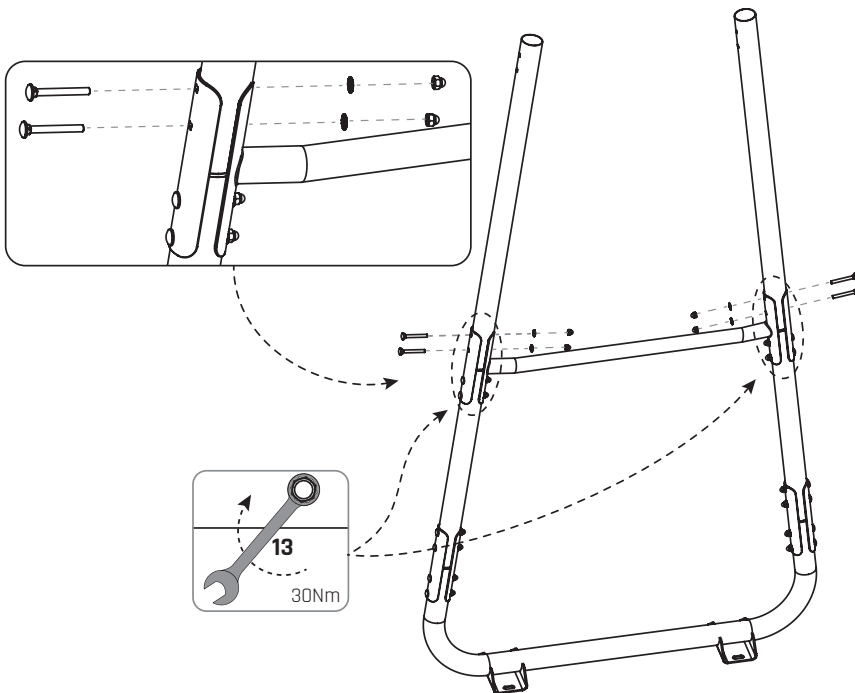
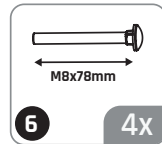
6



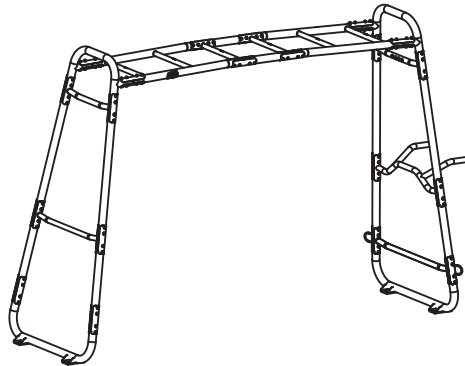
7



8





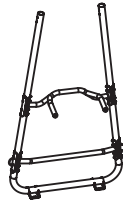


1



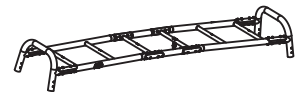
1X

2



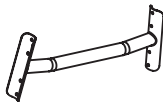
1X

3



1X

4



61.82.10.40 2X

5



61.80.30.10 4X

6



61.80.30.00 4X

7

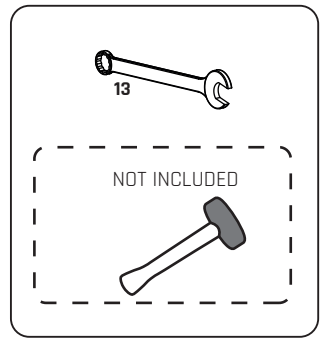


61.80.30.40 5X

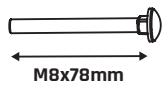
8



61.80.30.50 5X



9



M8x78mm 16X

10



M8 16X

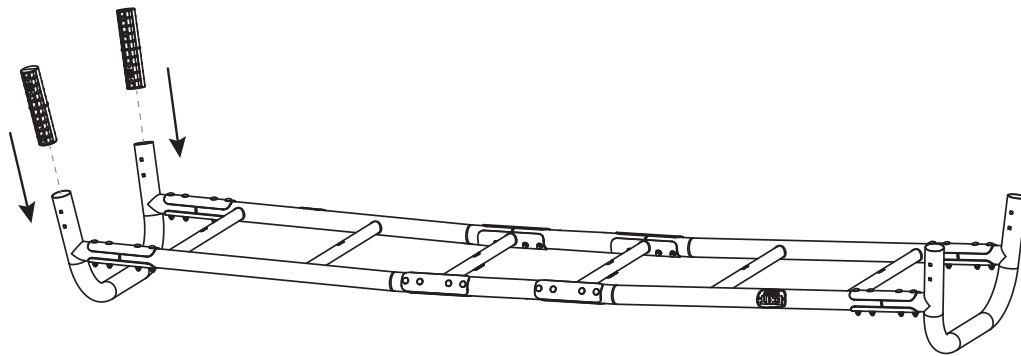
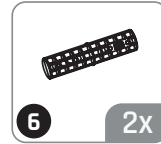
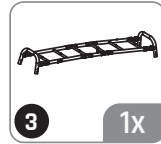
11



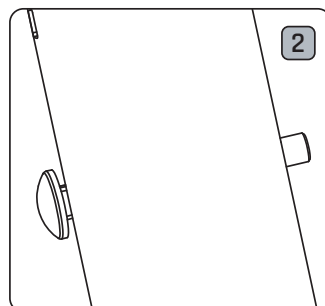
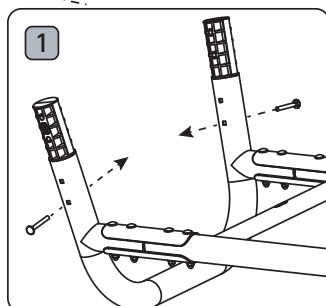
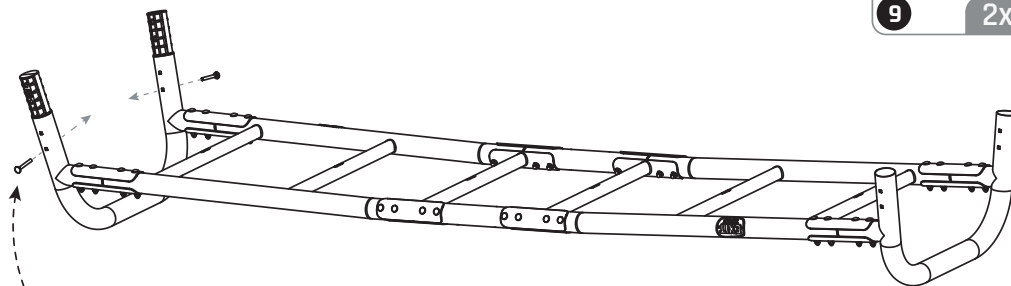
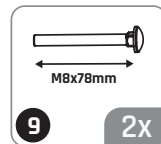
M8 16X

61.82.40.40 1X

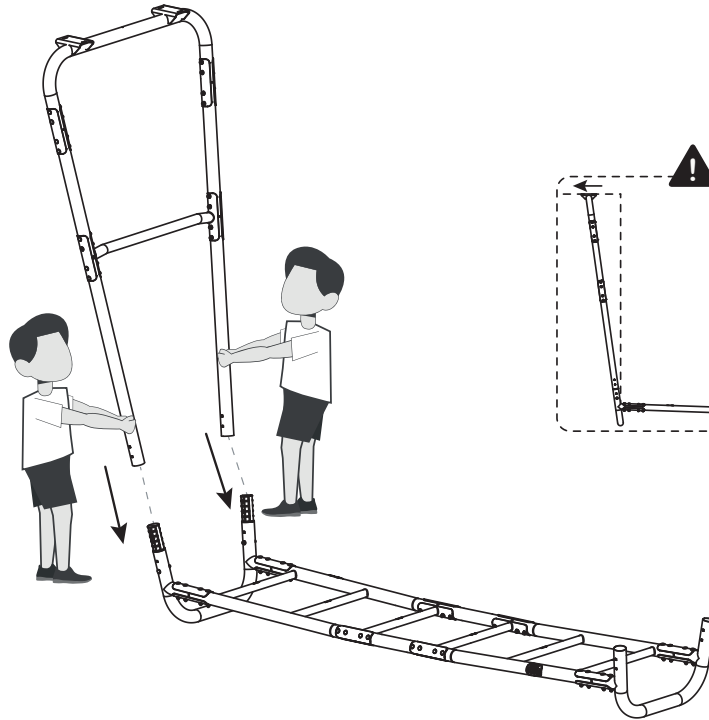
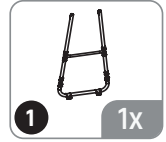
1



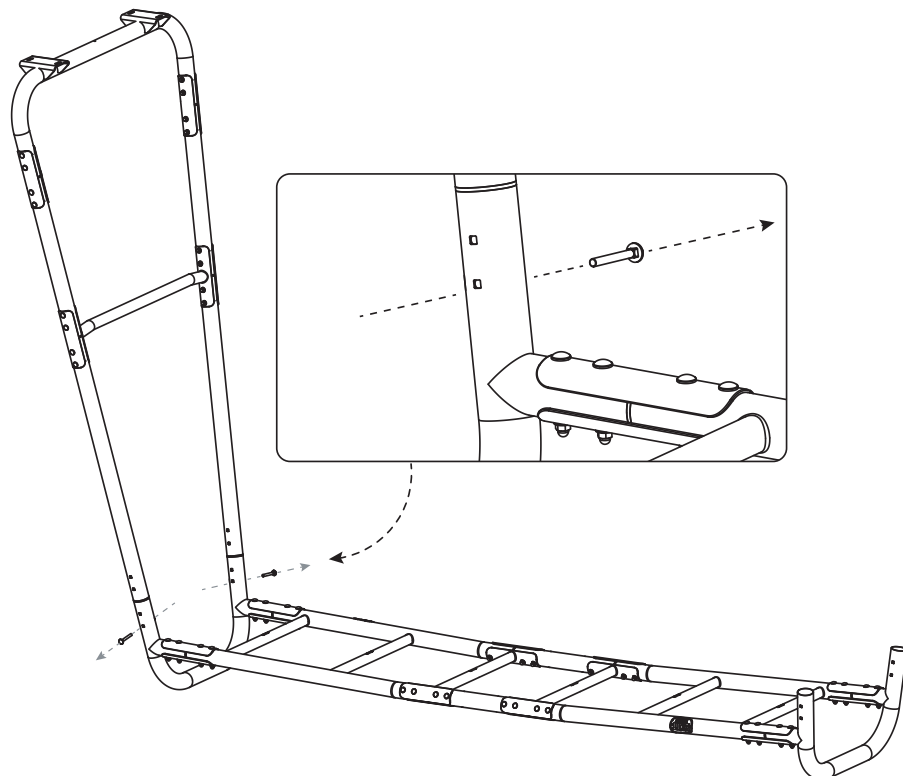
2



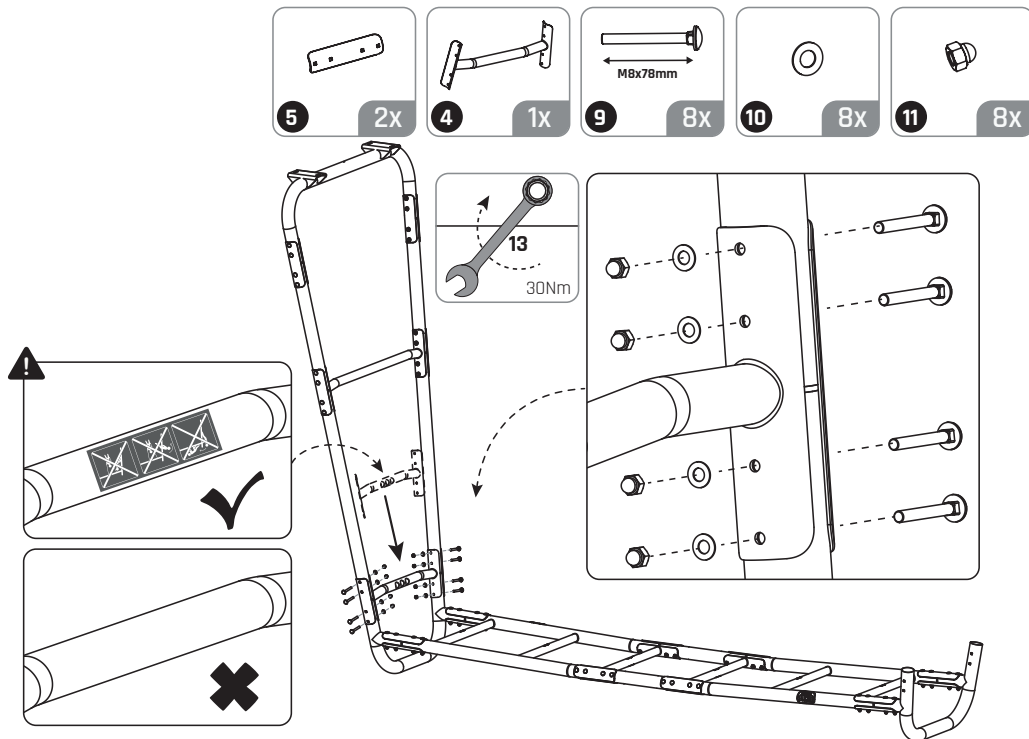
3



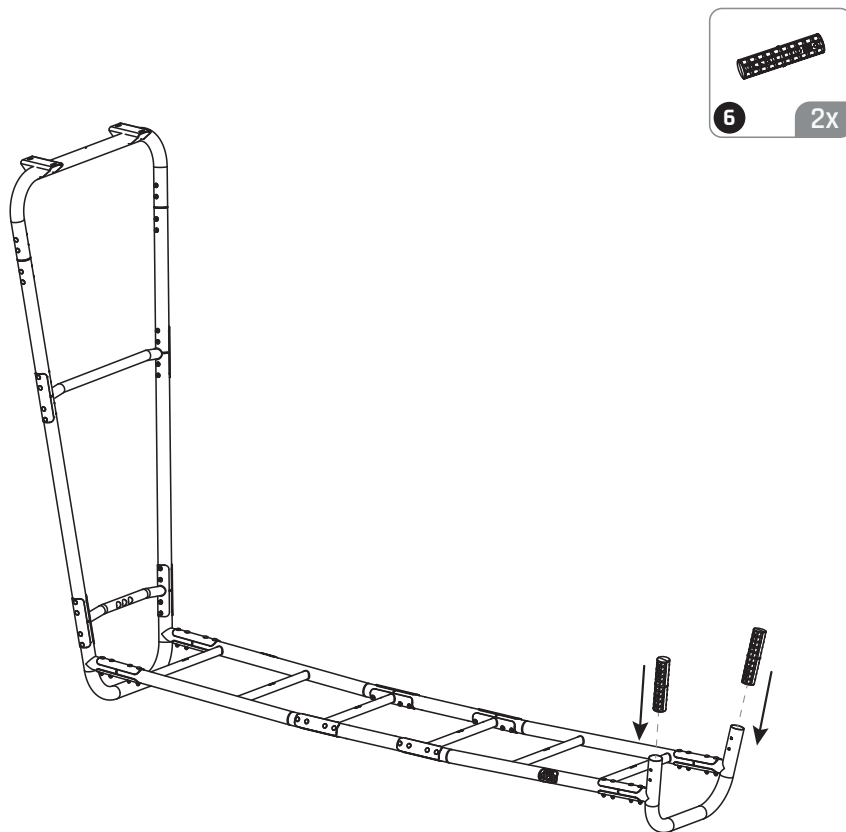
4



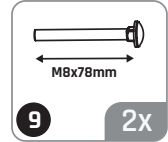
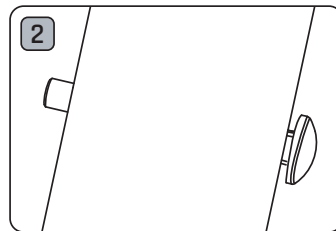
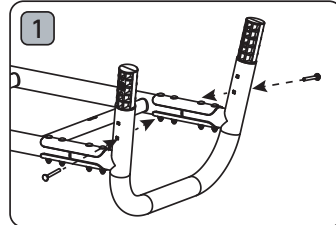
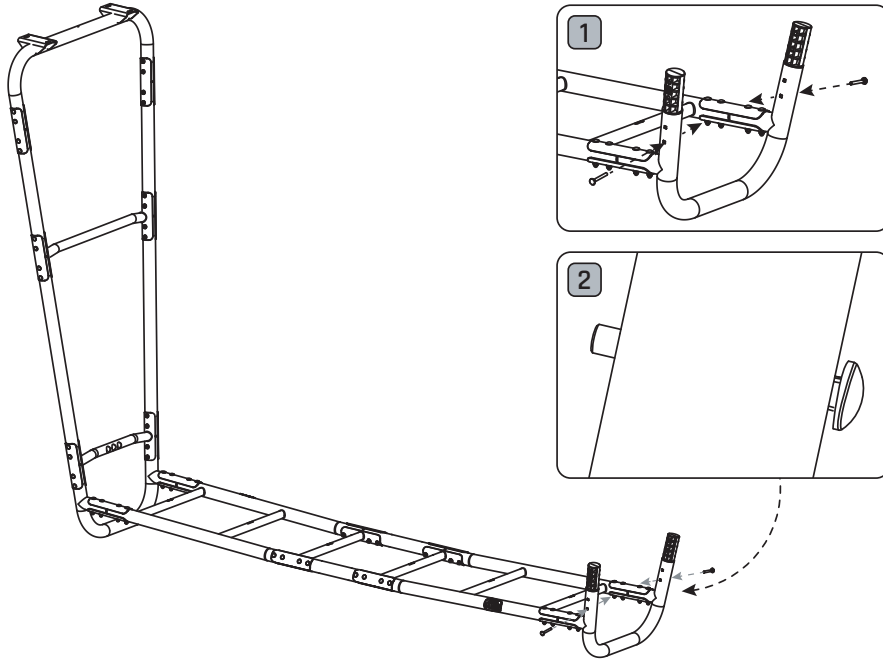
5



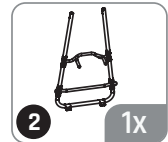
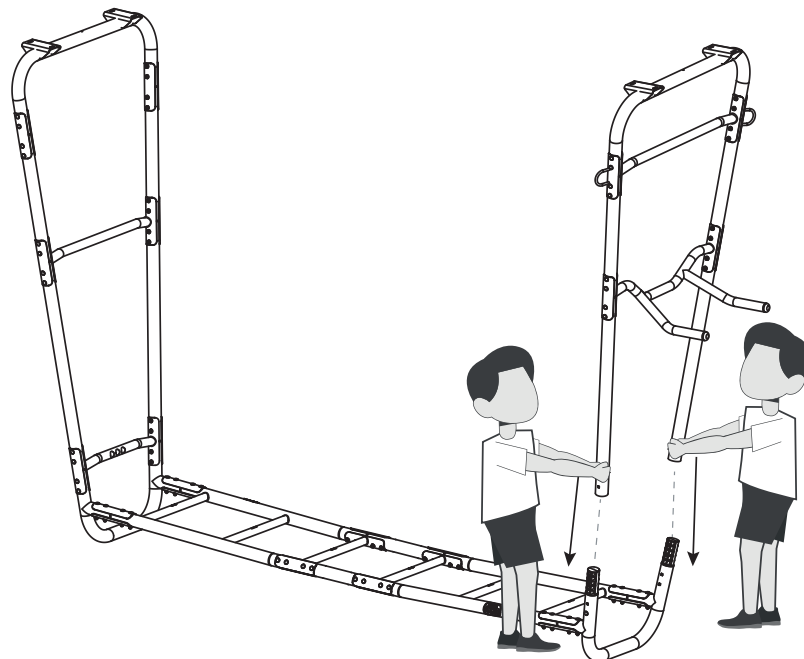
6



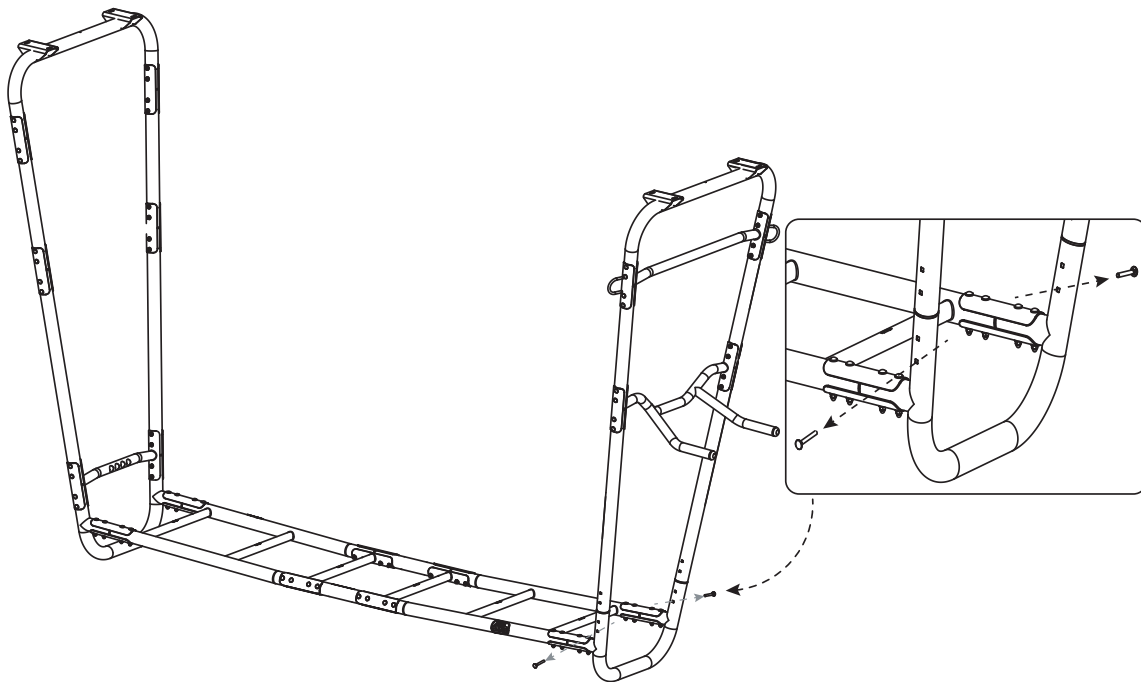
7



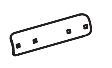

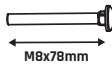


8

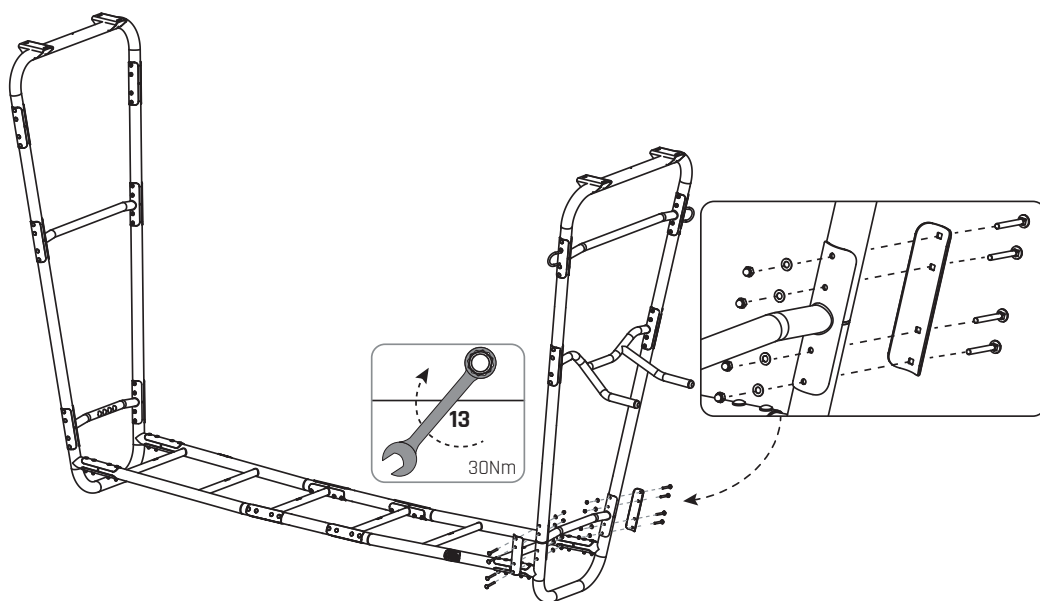


9

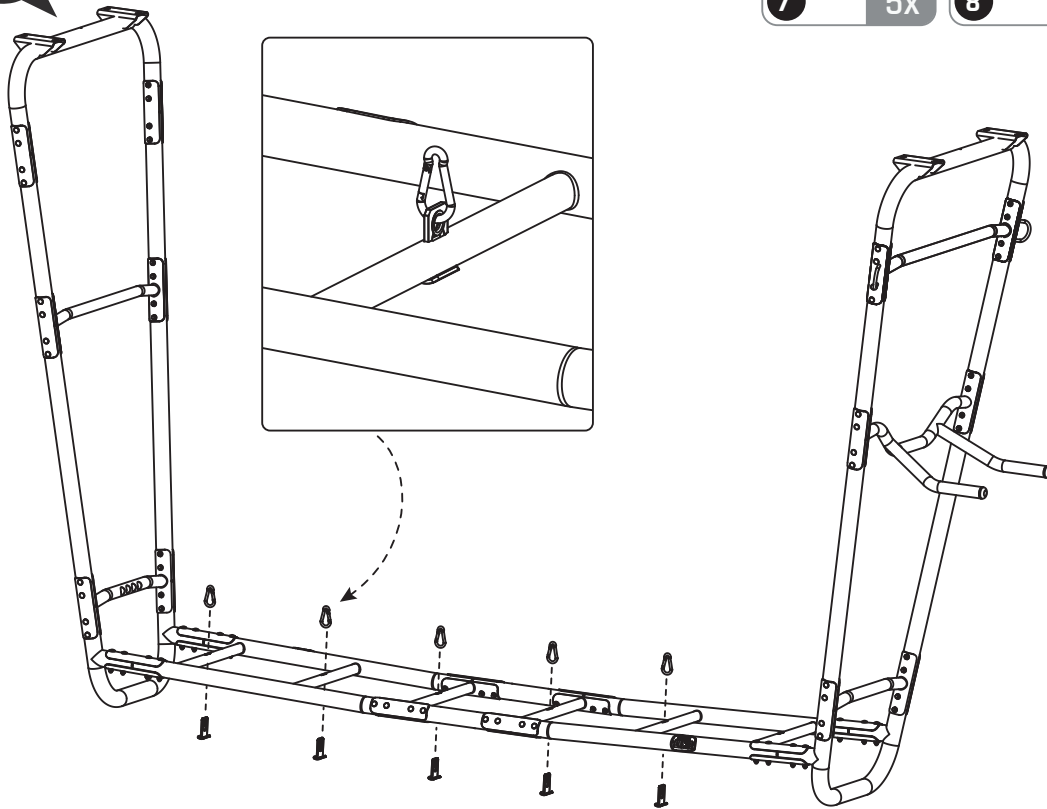
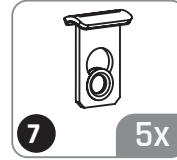


10

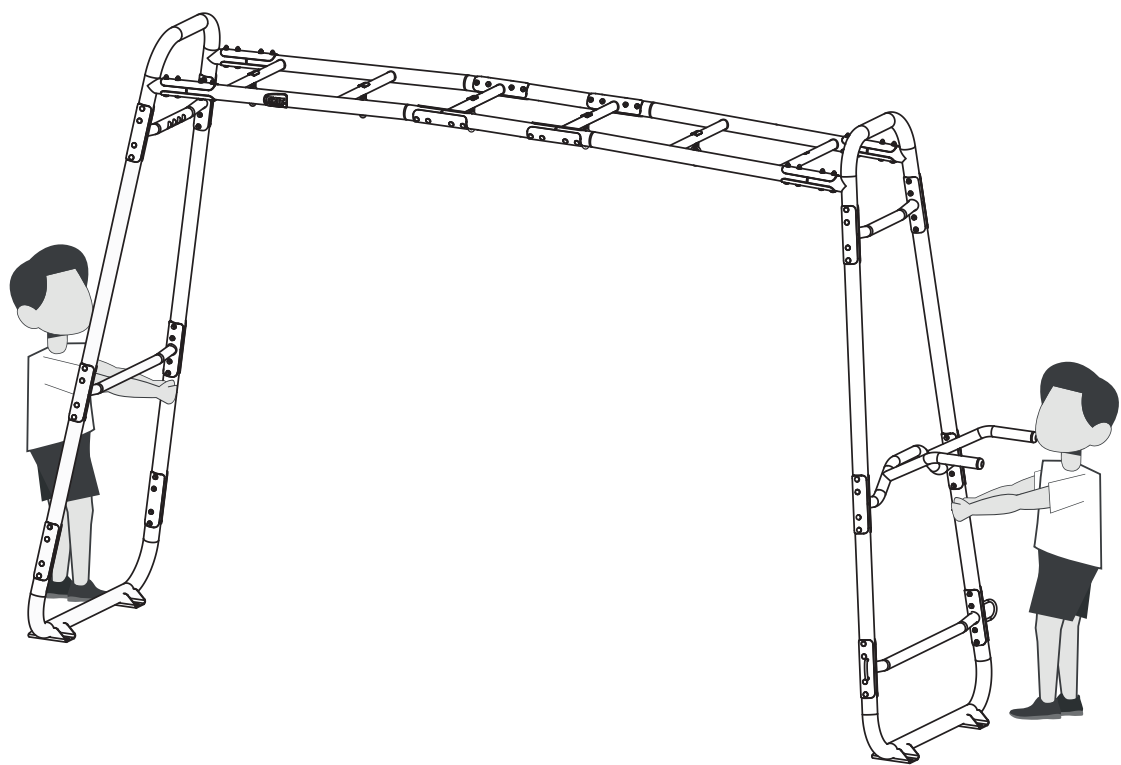
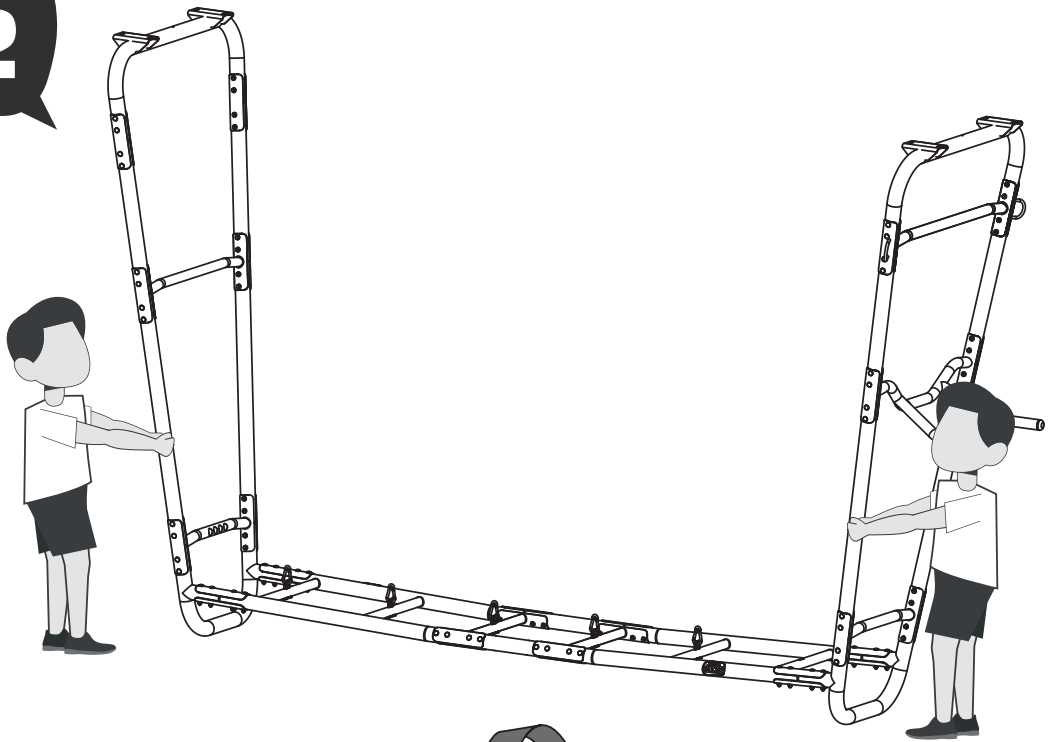
- | | | | | |
|---|---|---|---|---|
|  |  | 
M8x78mm |  |  |
| 5 | 4 | 9 | 10 | 11 |
| 2x | 1x | 8x | 8x | 8x |



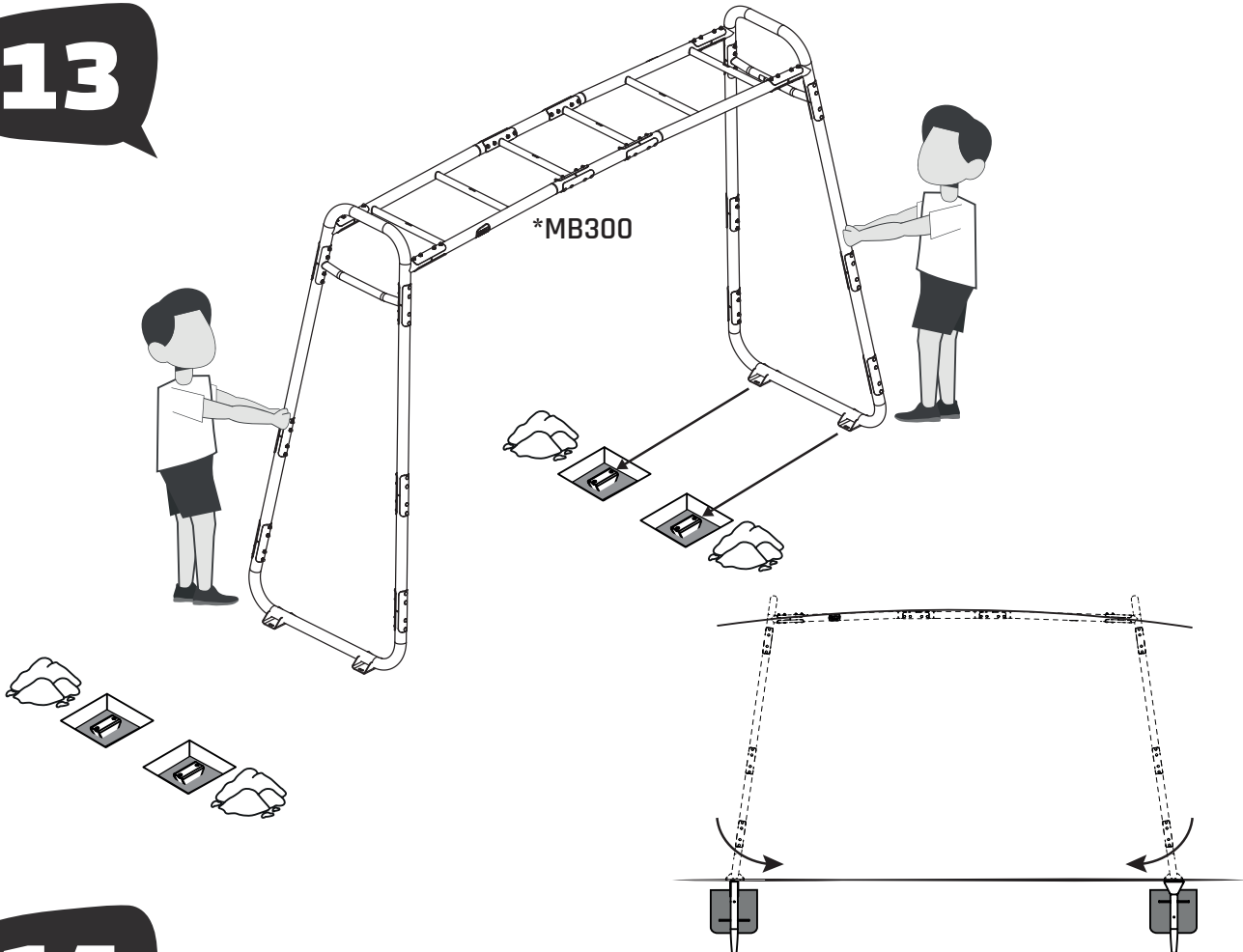
11



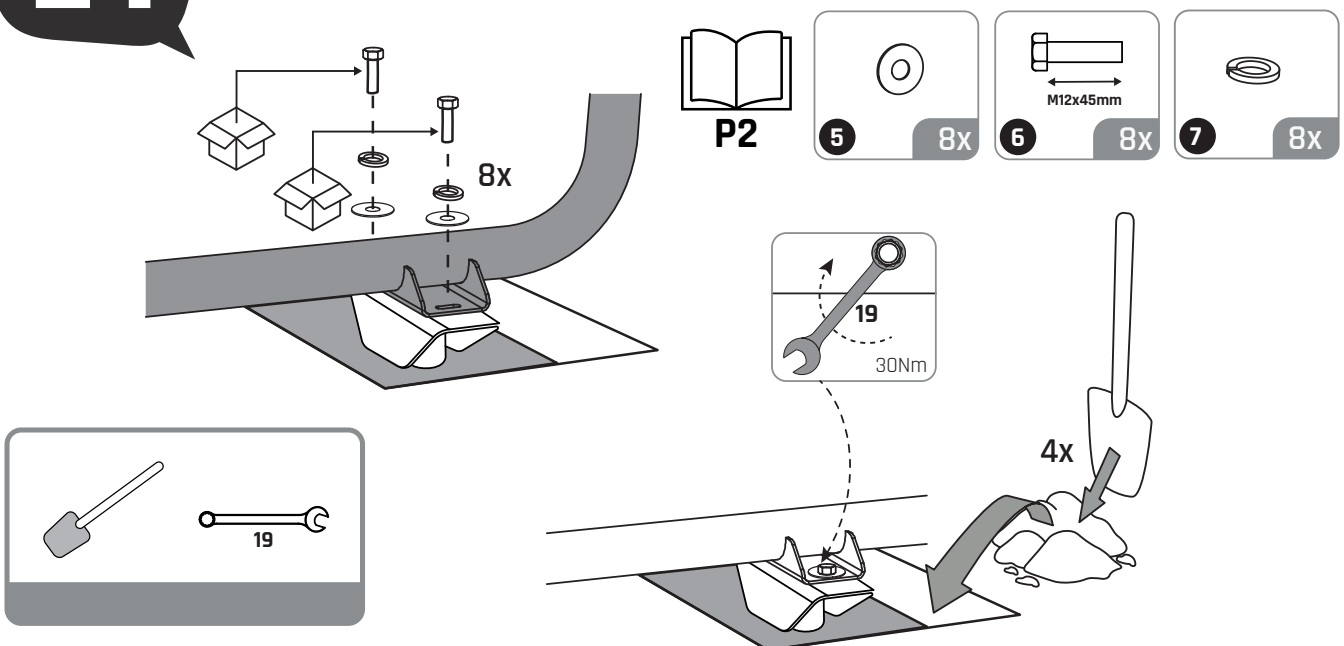
12

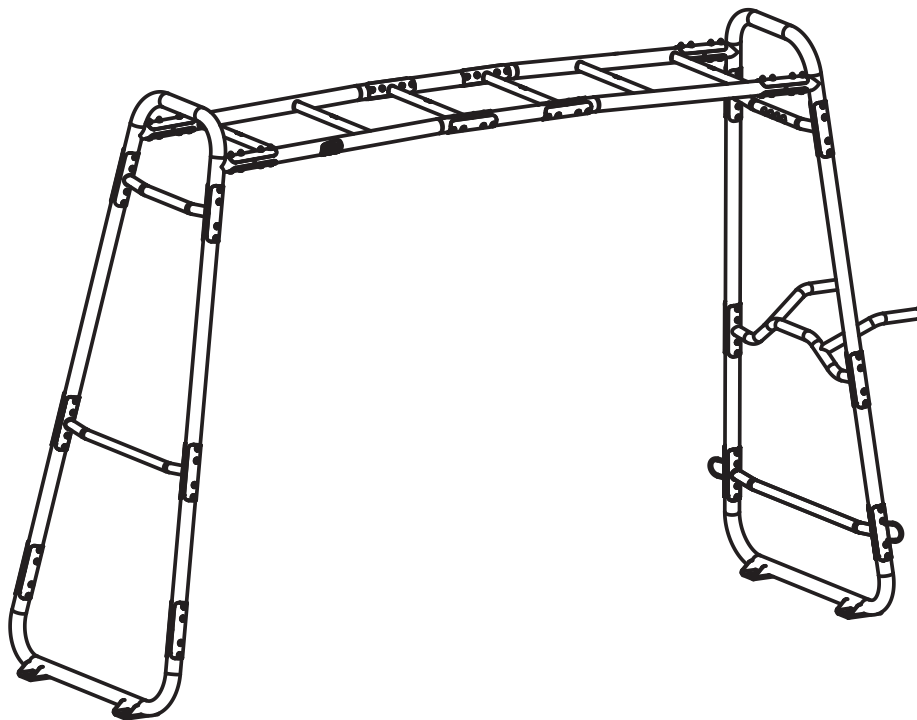
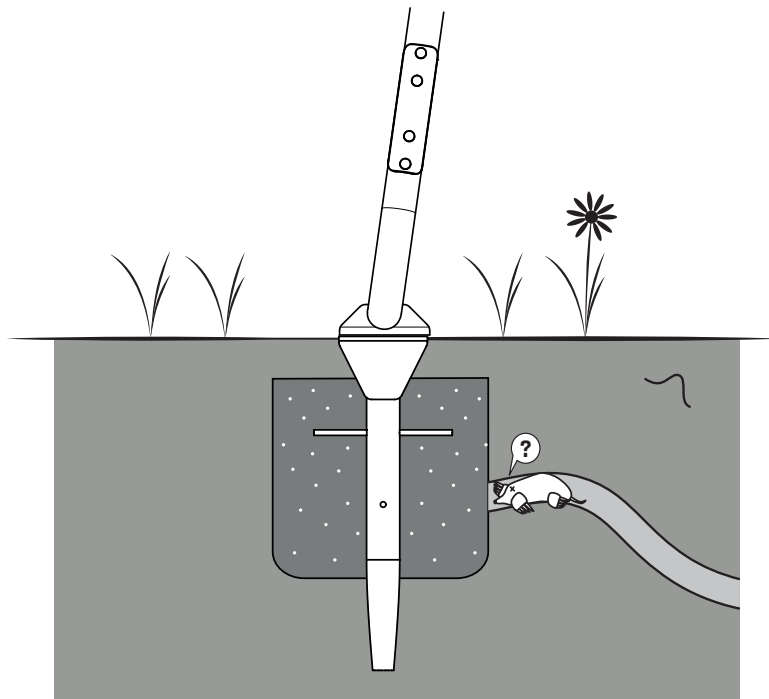


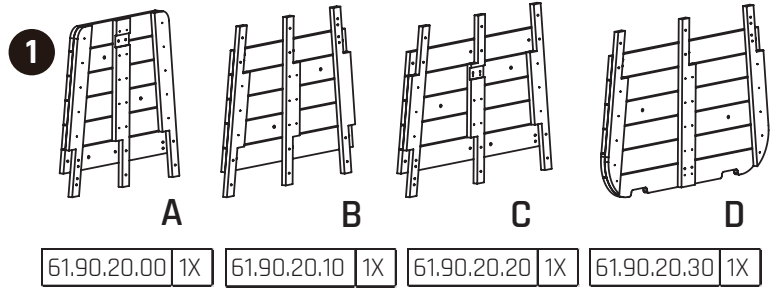
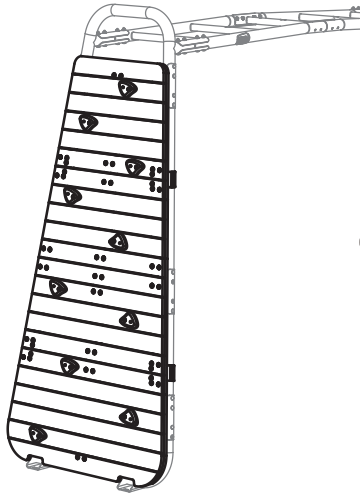
13



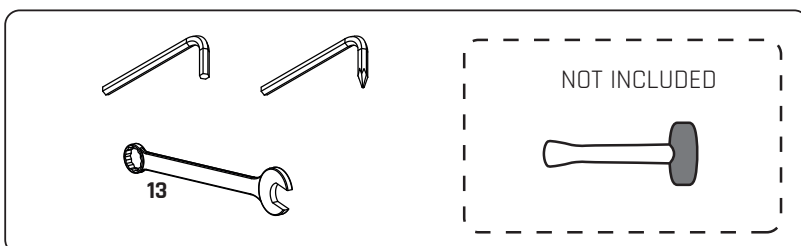
14



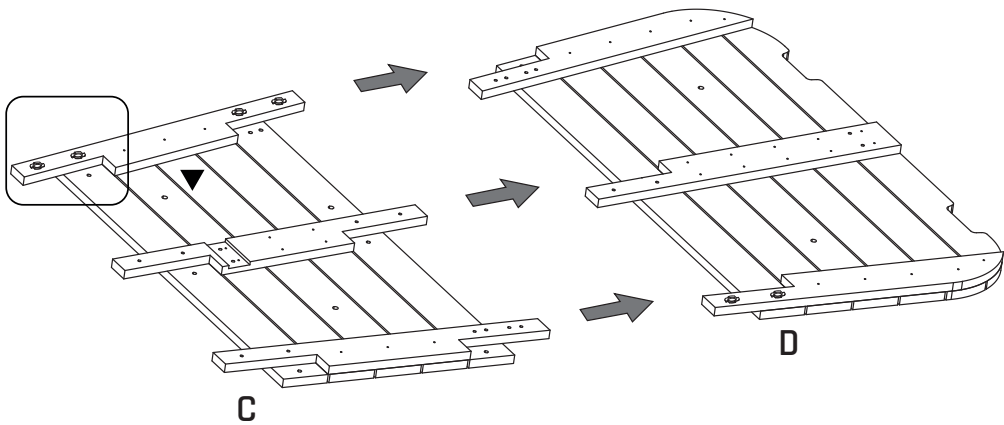
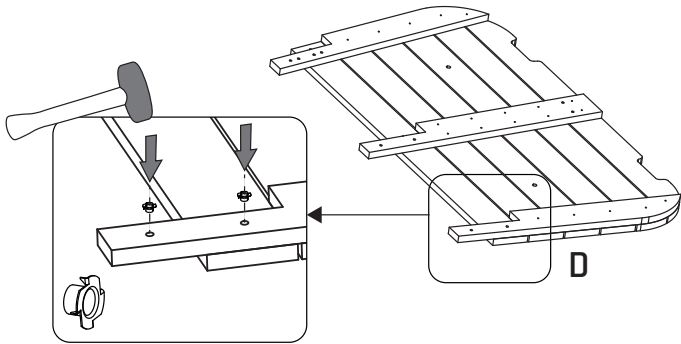
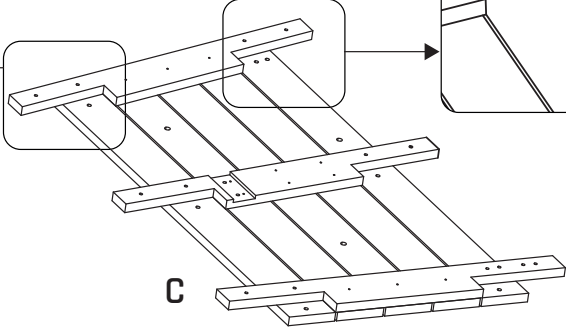
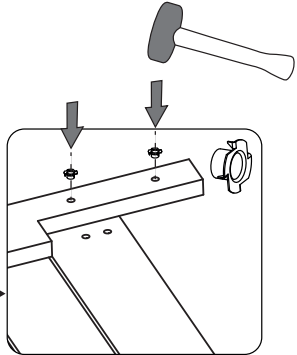
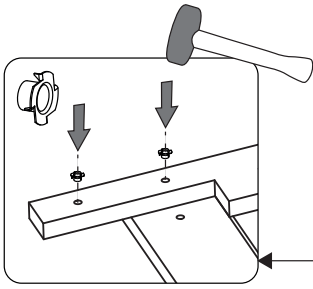
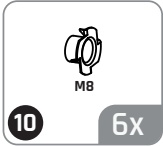
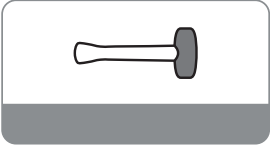




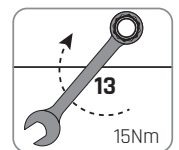
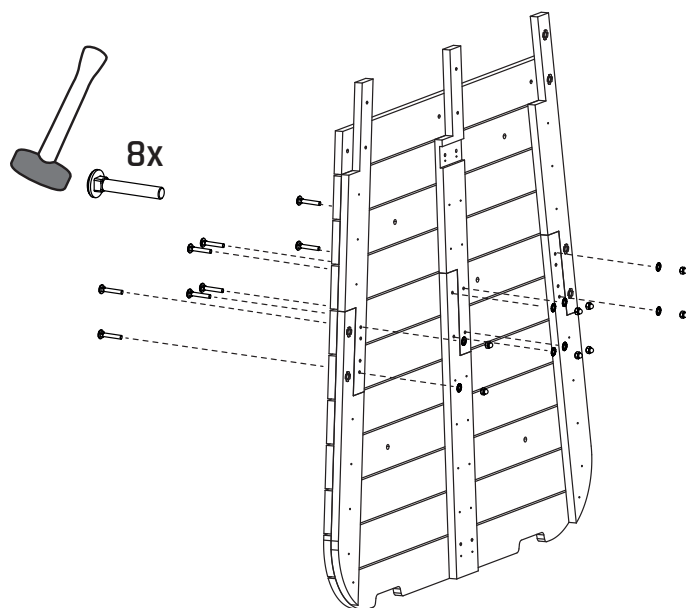
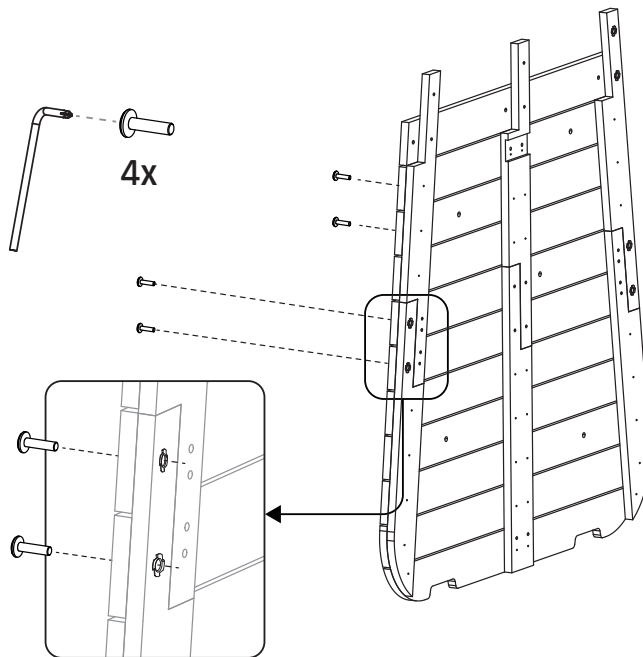
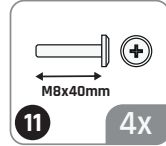
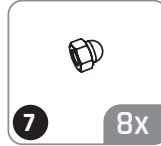
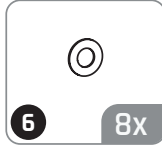
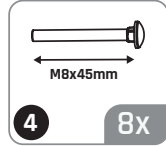
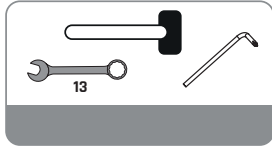
<p>2</p> <p>M8x35mm</p> <table border="1"> <tr> <td>M8x35mm</td> <td>2X</td> </tr> </table>	M8x35mm	2X	<p>3</p> <p>M8x40mm</p> <table border="1"> <tr> <td>M8x40mm</td> <td>2X</td> </tr> </table>	M8x40mm	2X	<p>4</p> <p>M8x45mm</p> <table border="1"> <tr> <td>M8x45mm</td> <td>24X</td> </tr> </table>	M8x45mm	24X	<p>5</p> <p>M8x50mm</p> <table border="1"> <tr> <td>M8x50mm</td> <td>10X</td> </tr> </table>	M8x50mm	10X							
M8x35mm	2X																	
M8x40mm	2X																	
M8x45mm	24X																	
M8x50mm	10X																	
<p>6</p> <p>M8</p> <table border="1"> <tr> <td>M8</td> <td>48X</td> </tr> </table>	M8	48X	<p>7</p> <p>M8</p> <table border="1"> <tr> <td>M8</td> <td>38X</td> </tr> </table>	M8	38X	<p>8</p> <p>x7</p> <table border="1"> <tr> <td>54.90.20.10</td> <td>1X</td> </tr> </table>		54.90.20.10	1X									
M8	48X																	
M8	38X																	
54.90.20.10	1X																	
<p>9</p> <table border="1"> <tr> <td>61.90.46.00</td> <td>10X</td> </tr> </table>		61.90.46.00	10X	<p>10</p> <p>M8</p> <table border="1"> <tr> <td>M8</td> <td>12X</td> </tr> </table>	M8	12X	<p>11</p> <p>M8x40mm</p> <table border="1"> <tr> <td>M8x40mm</td> <td>12X</td> </tr> </table>	M8x40mm	12X	<p>12</p> <p>M10x35mm</p> <table border="1"> <tr> <td>M10x35mm</td> <td>10X</td> </tr> </table>	M10x35mm	10X	<p>13</p> <p>st3.5x25mm</p> <table border="1"> <tr> <td>st3.5x25mm</td> <td>10X</td> </tr> </table>	st3.5x25mm	10X	<p>14</p> <p>M10</p> <table border="1"> <tr> <td>M10</td> <td>10X</td> </tr> </table>	M10	10X
61.90.46.00	10X																	
M8	12X																	
M8x40mm	12X																	
M10x35mm	10X																	
st3.5x25mm	10X																	
M10	10X																	
<table border="1"> <tr> <td>61.90.20.40</td> <td>1X</td> </tr> </table>		61.90.20.40	1X	<table border="1"> <tr> <td>61.90.46.10</td> <td>1X</td> </tr> </table>		61.90.46.10	1X											
61.90.20.40	1X																	
61.90.46.10	1X																	



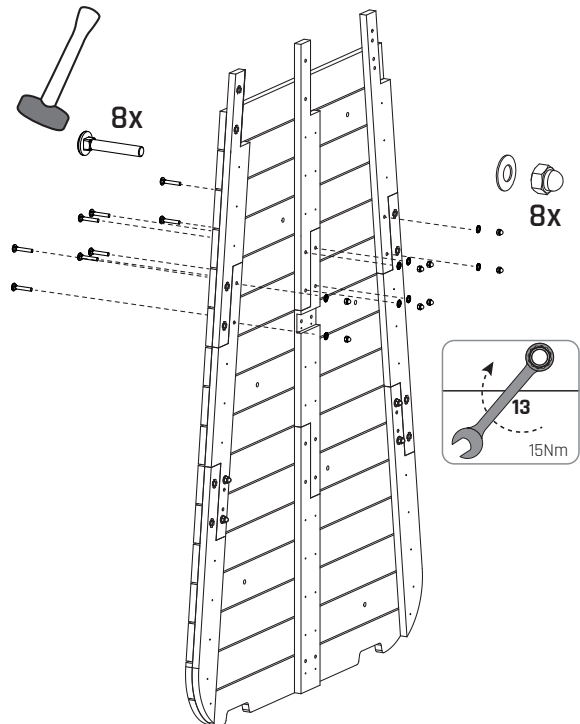
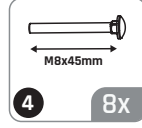
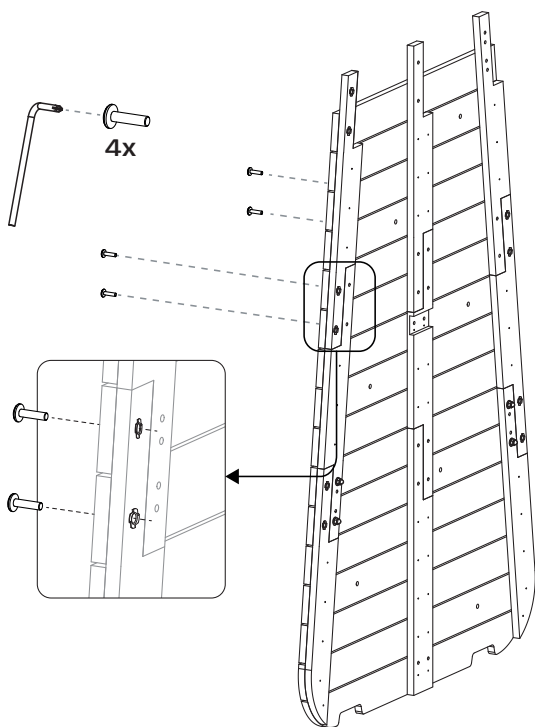
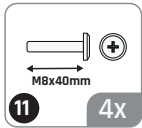
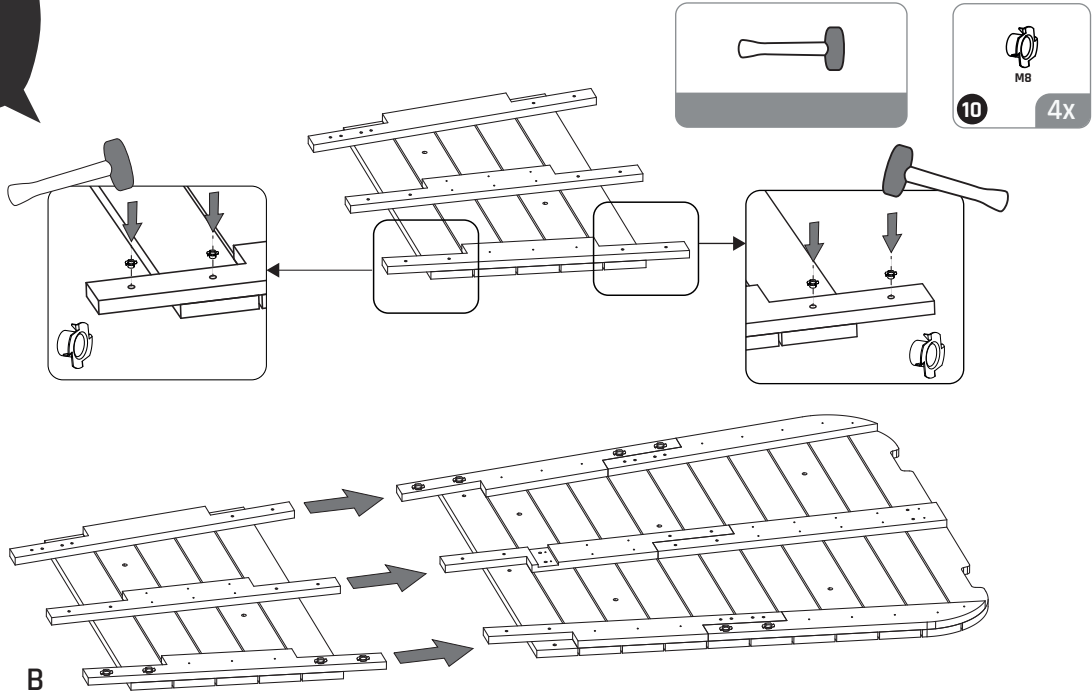
1

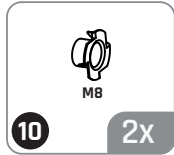
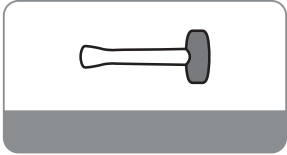


2

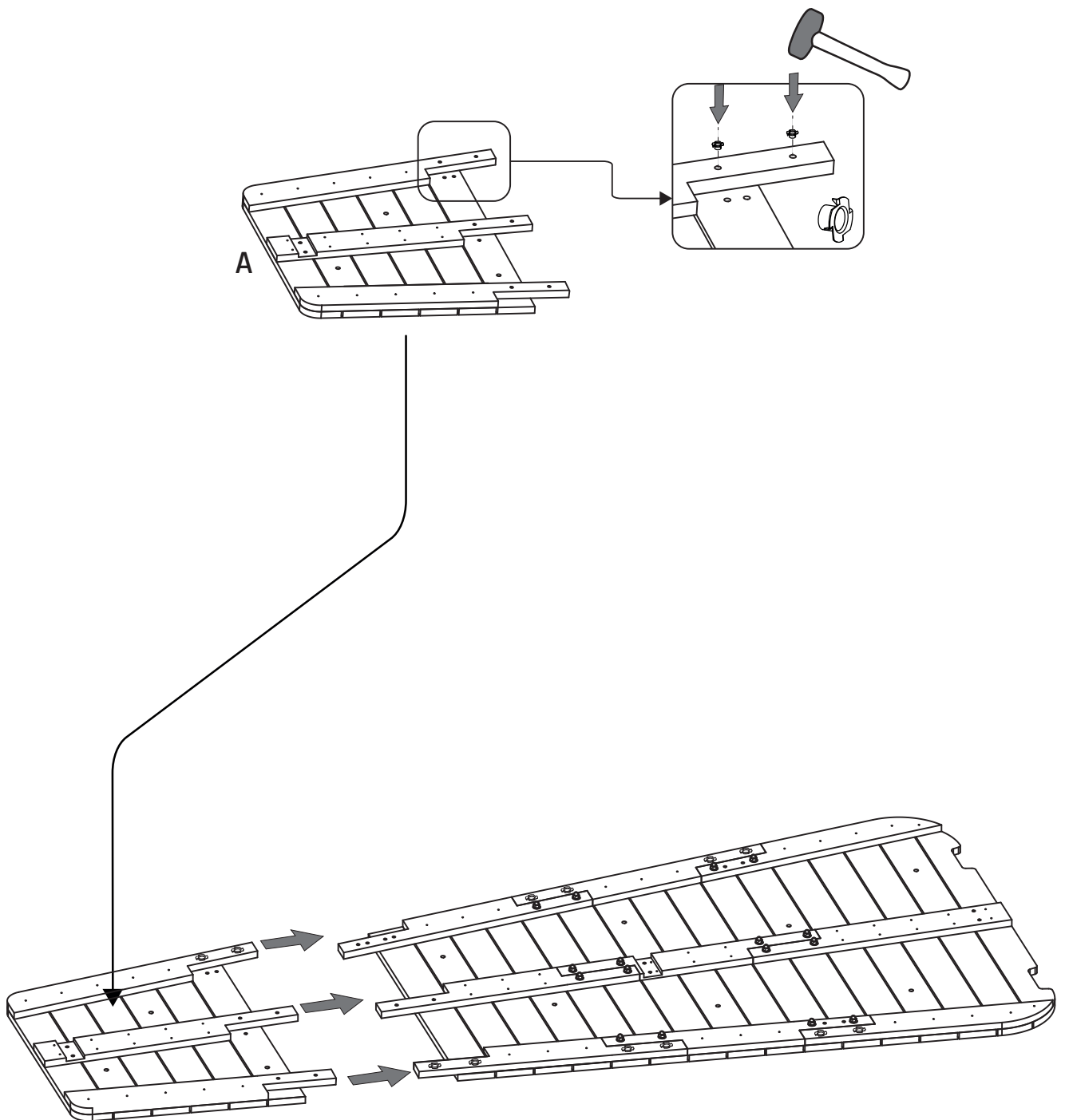


3

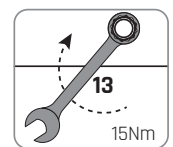
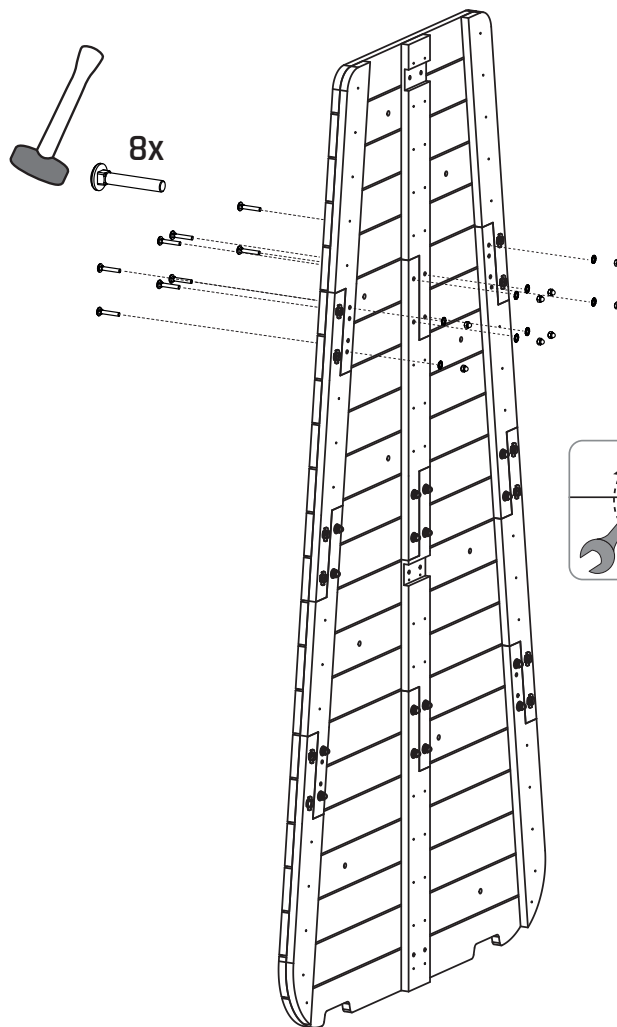
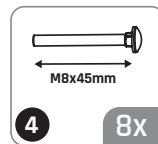
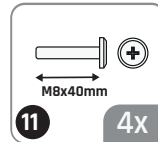
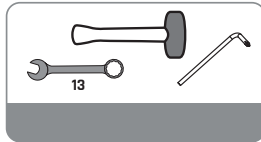
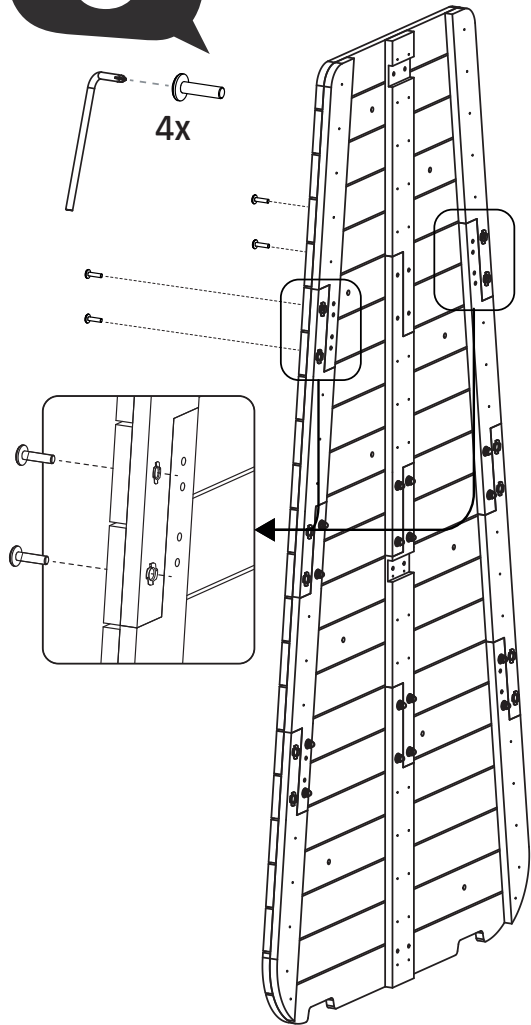


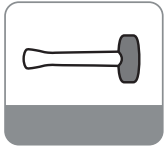


4

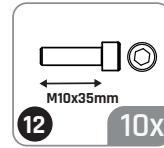
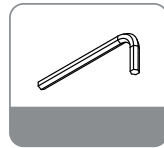


5

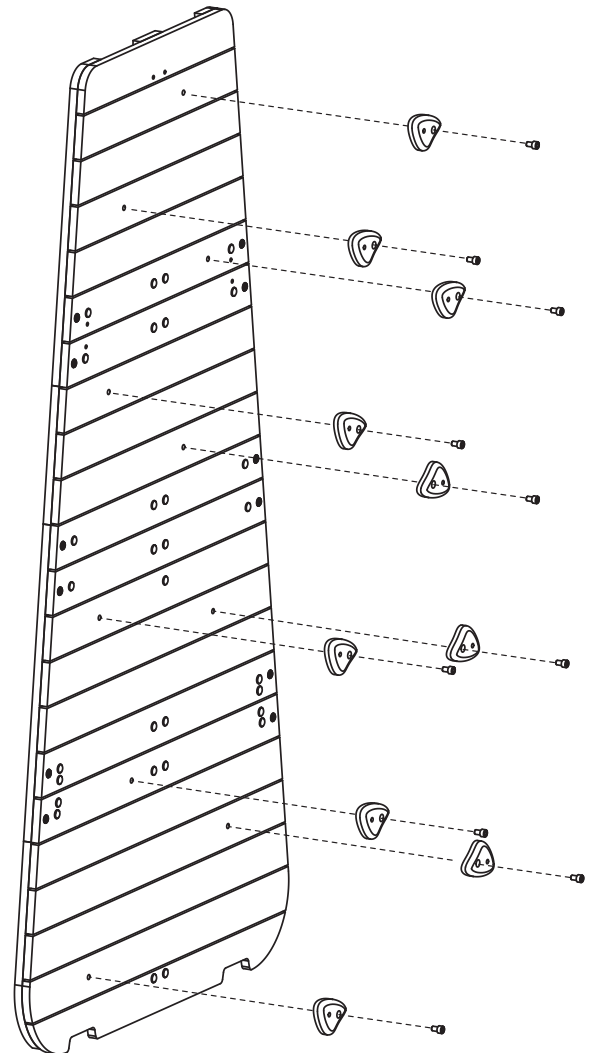
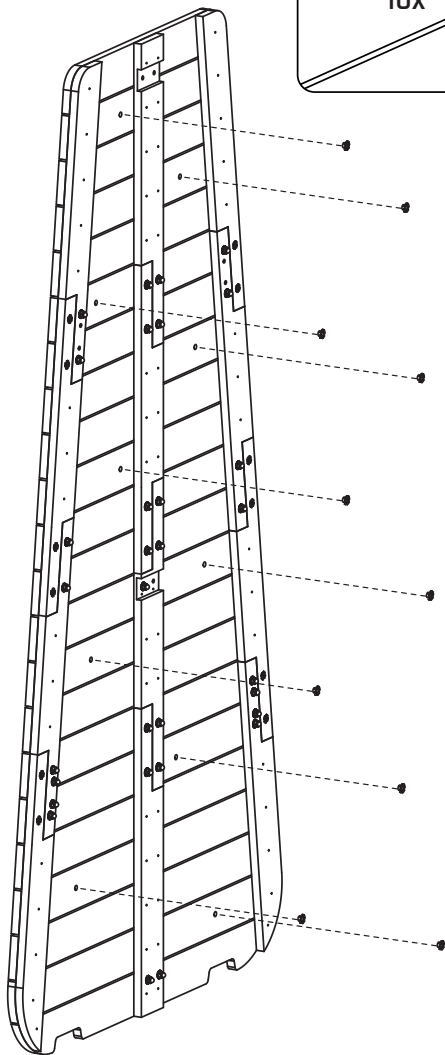
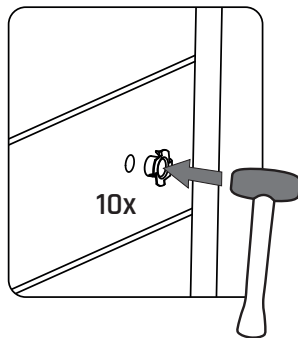




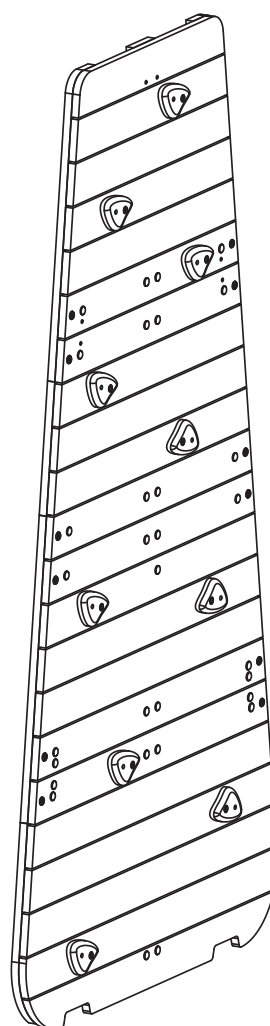
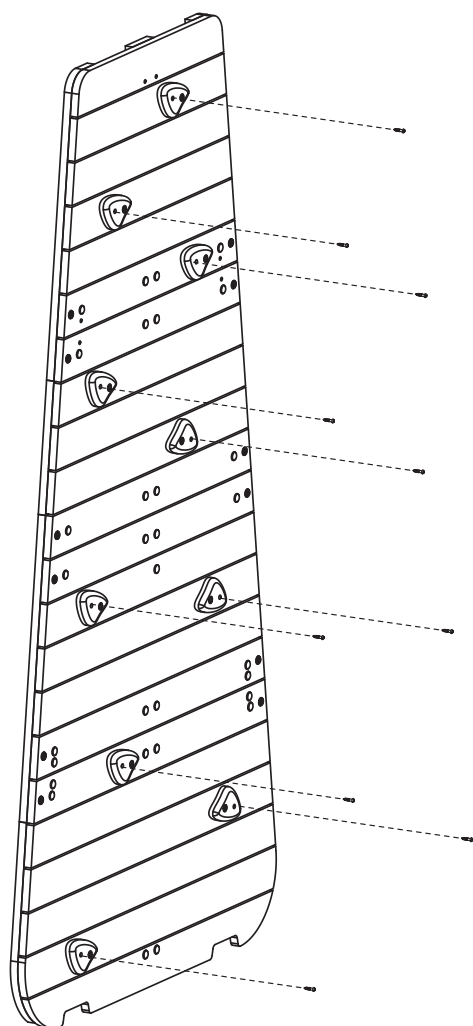
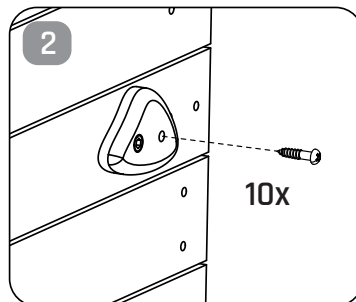
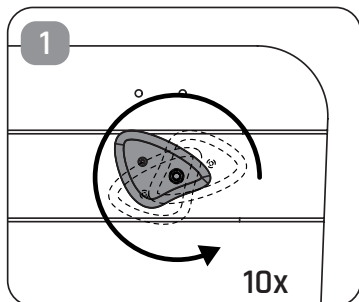
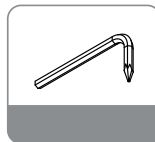
6



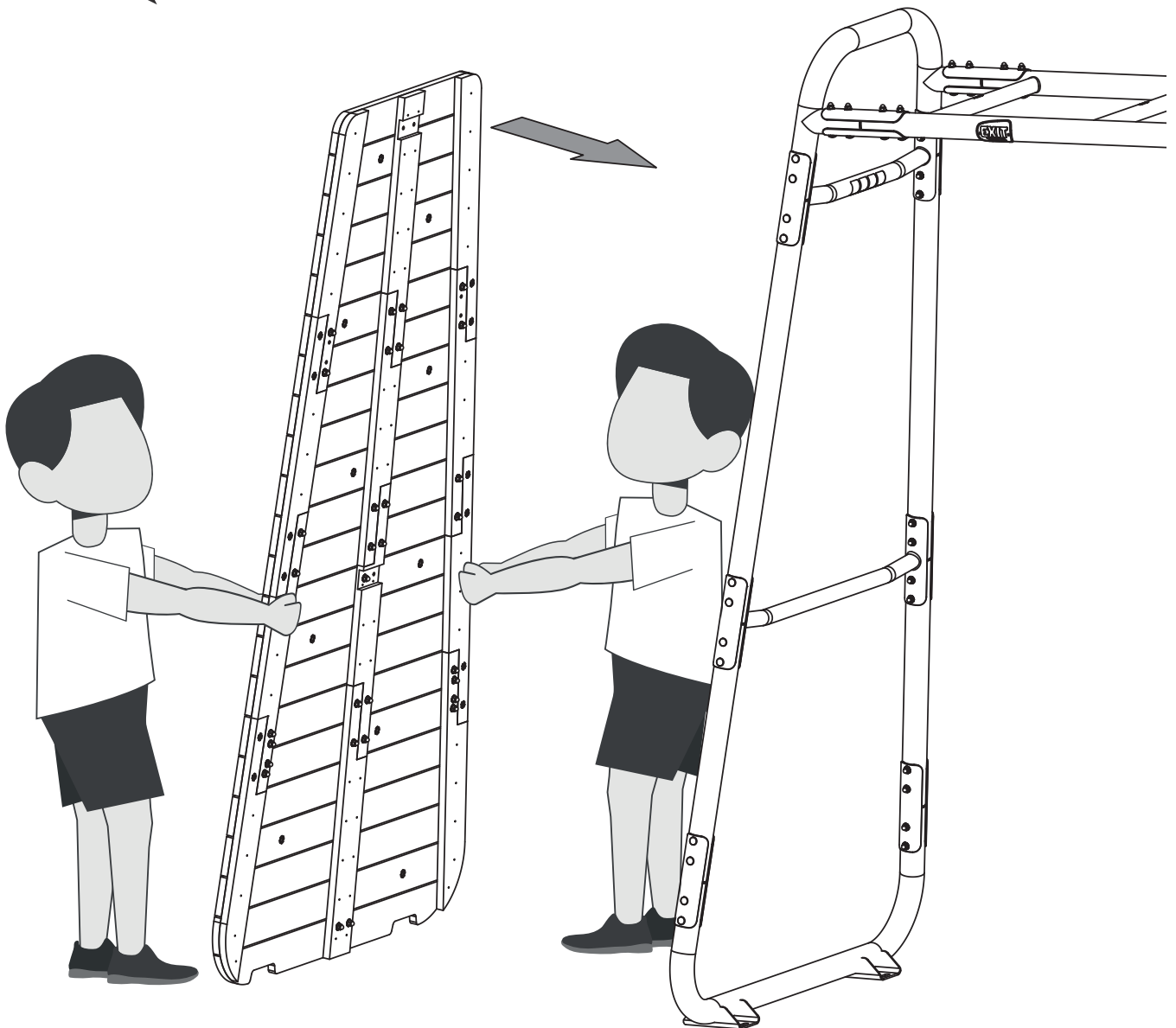
7



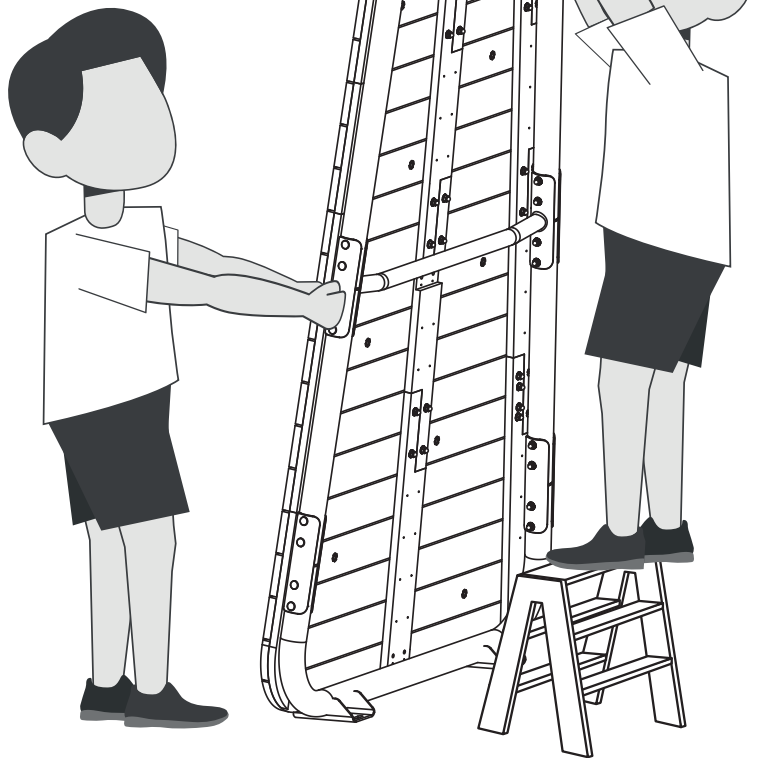
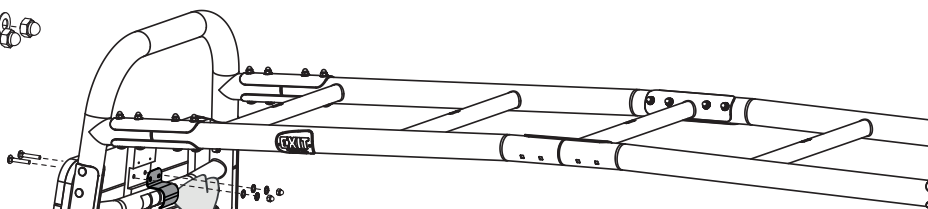
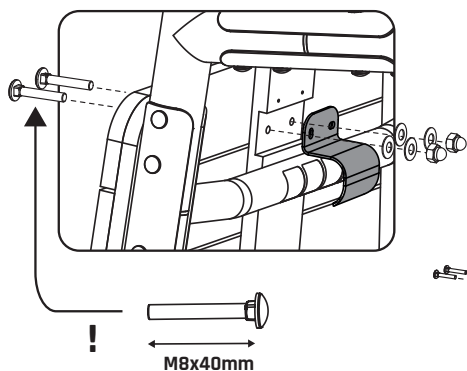
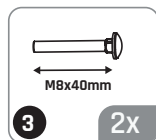
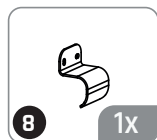
8





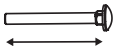


9

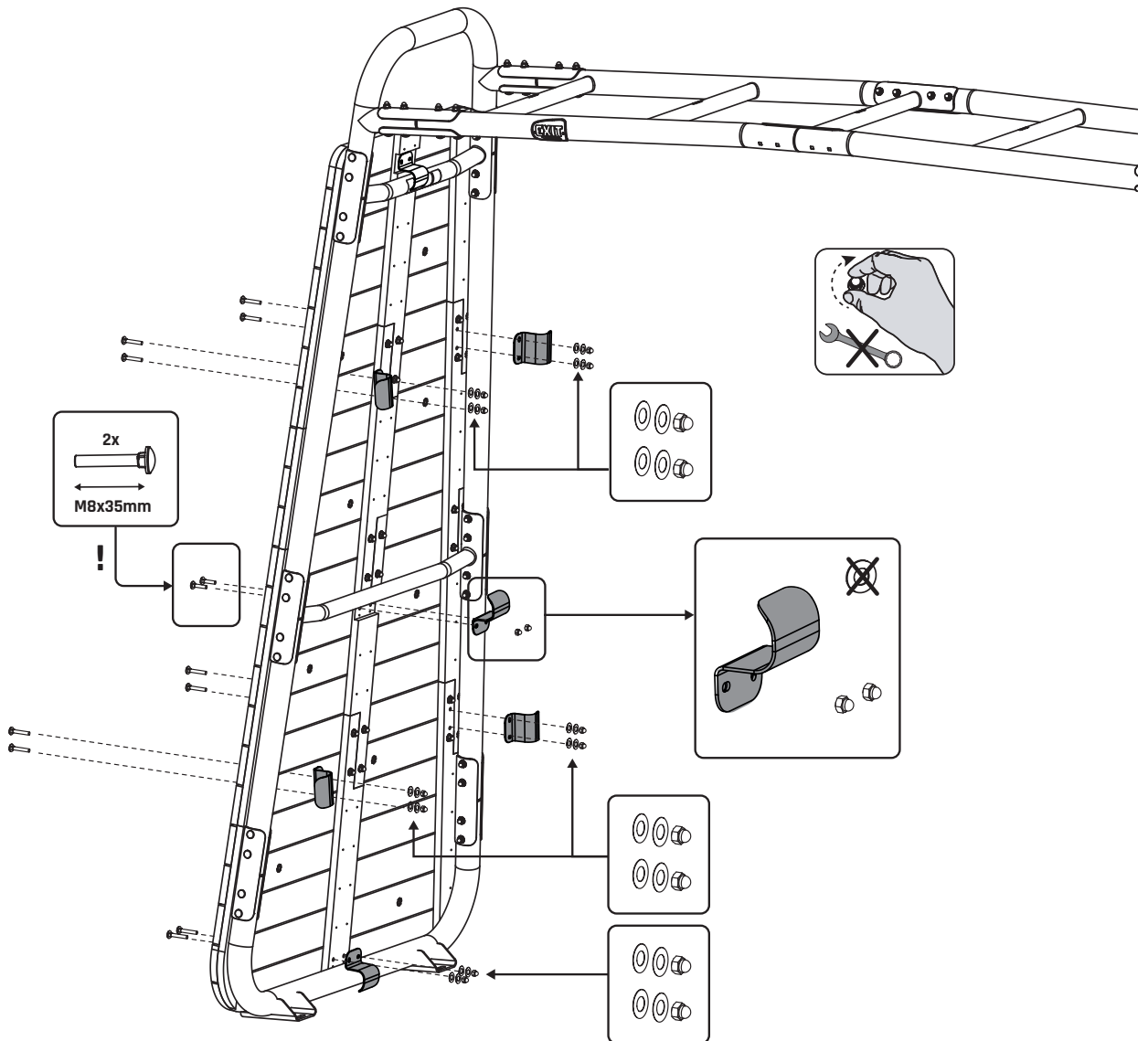


10

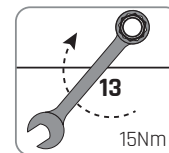
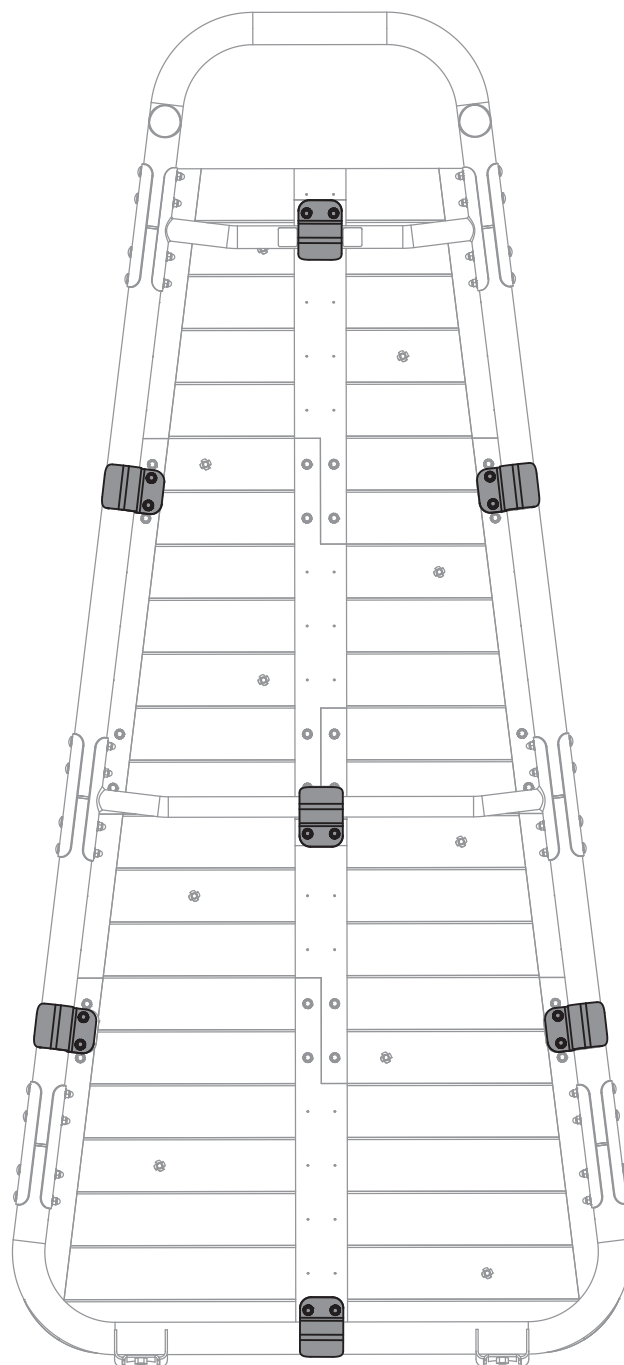
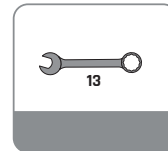


11

- 8 5x 
- 2 2x  M8x35mm
- 5 10x  M8x50mm
- 6 20x 
- 7 12x 

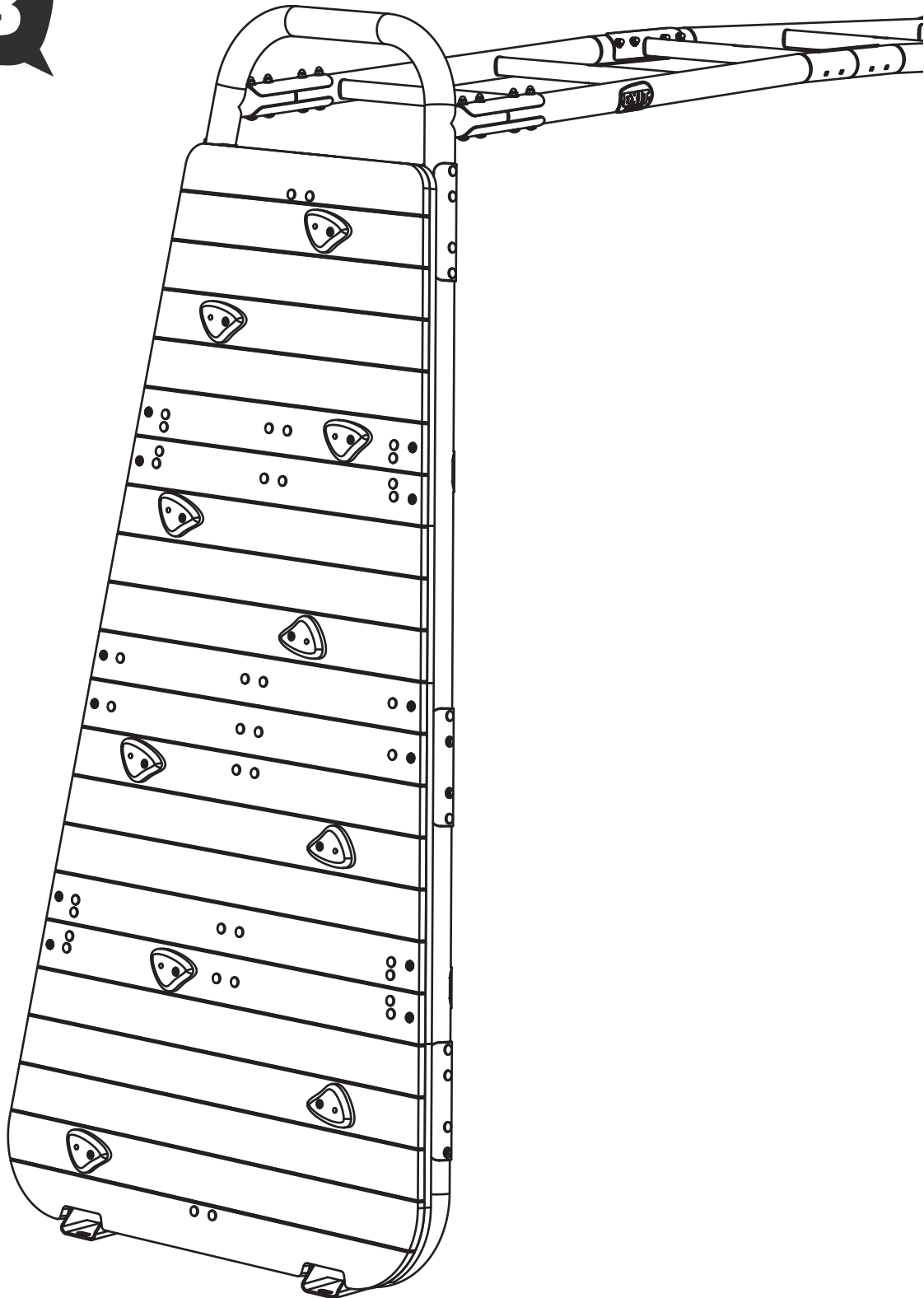


12

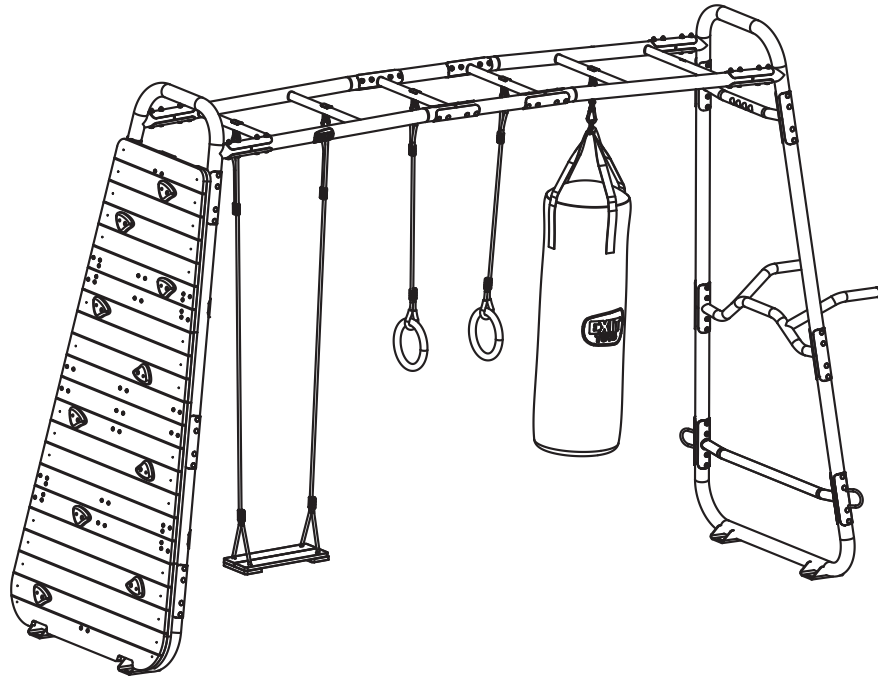


14 x

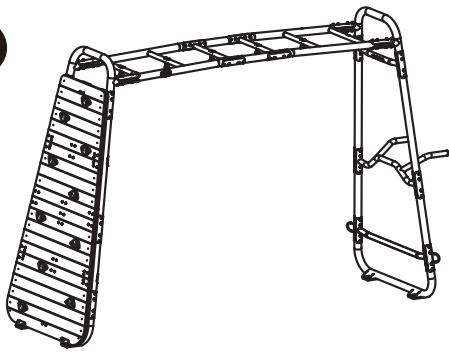
13







1



1X

2



54.90.41.00 1X

3



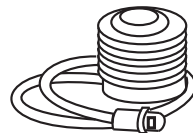
54.90.30.00 1X

4



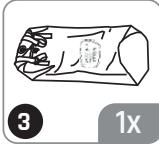
54.90.40.00 1X

5

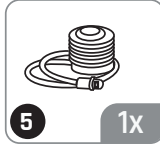


1X

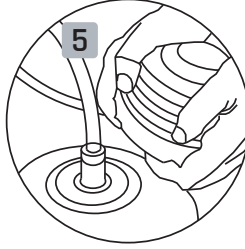
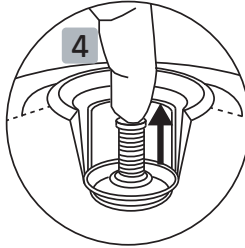
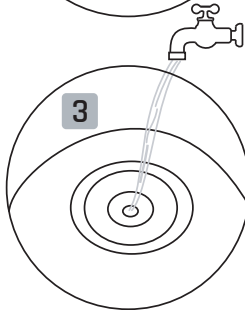
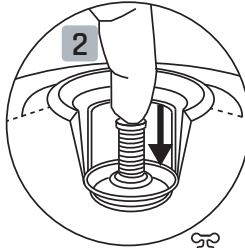
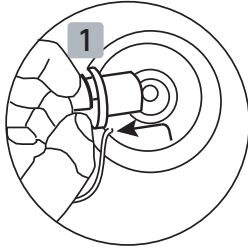
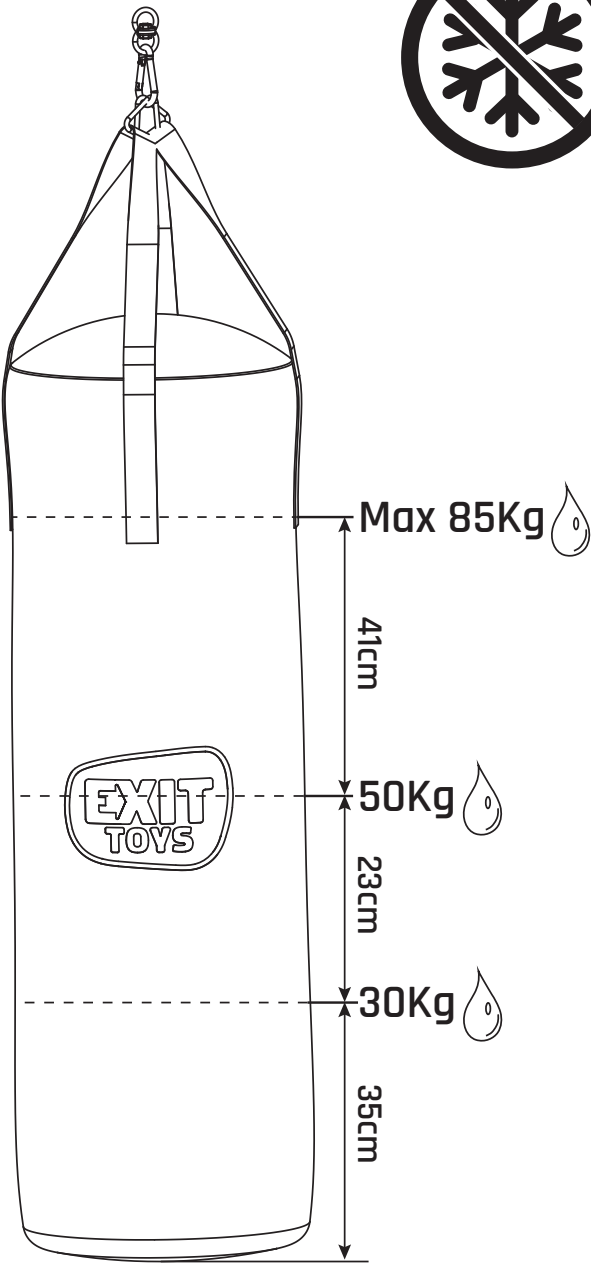
1



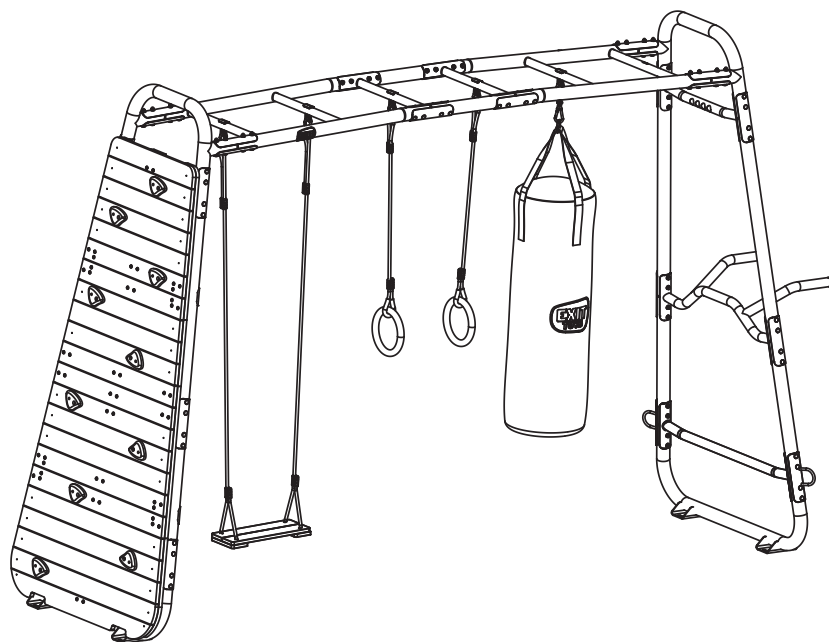
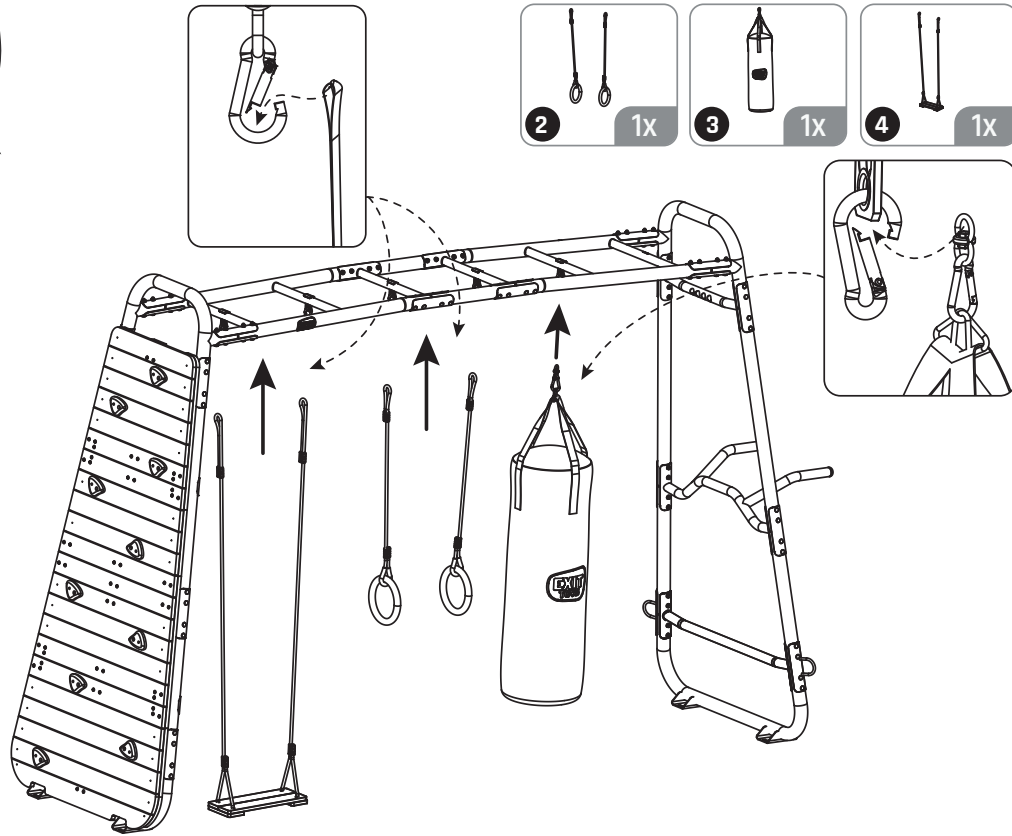
1x



1x



2





www.exittoys.com



Contact Information:

Dutch Toys Group B.V.
Edisonstraat 83
7006 RB Doetinchem, The Netherlands

info@exittoys.com
www.exittoys.com

EXIT Toys is part of:

SIMBA · DICKIE · GROUP

EXIT Toys is a registered trade mark of Dutch Toys Group